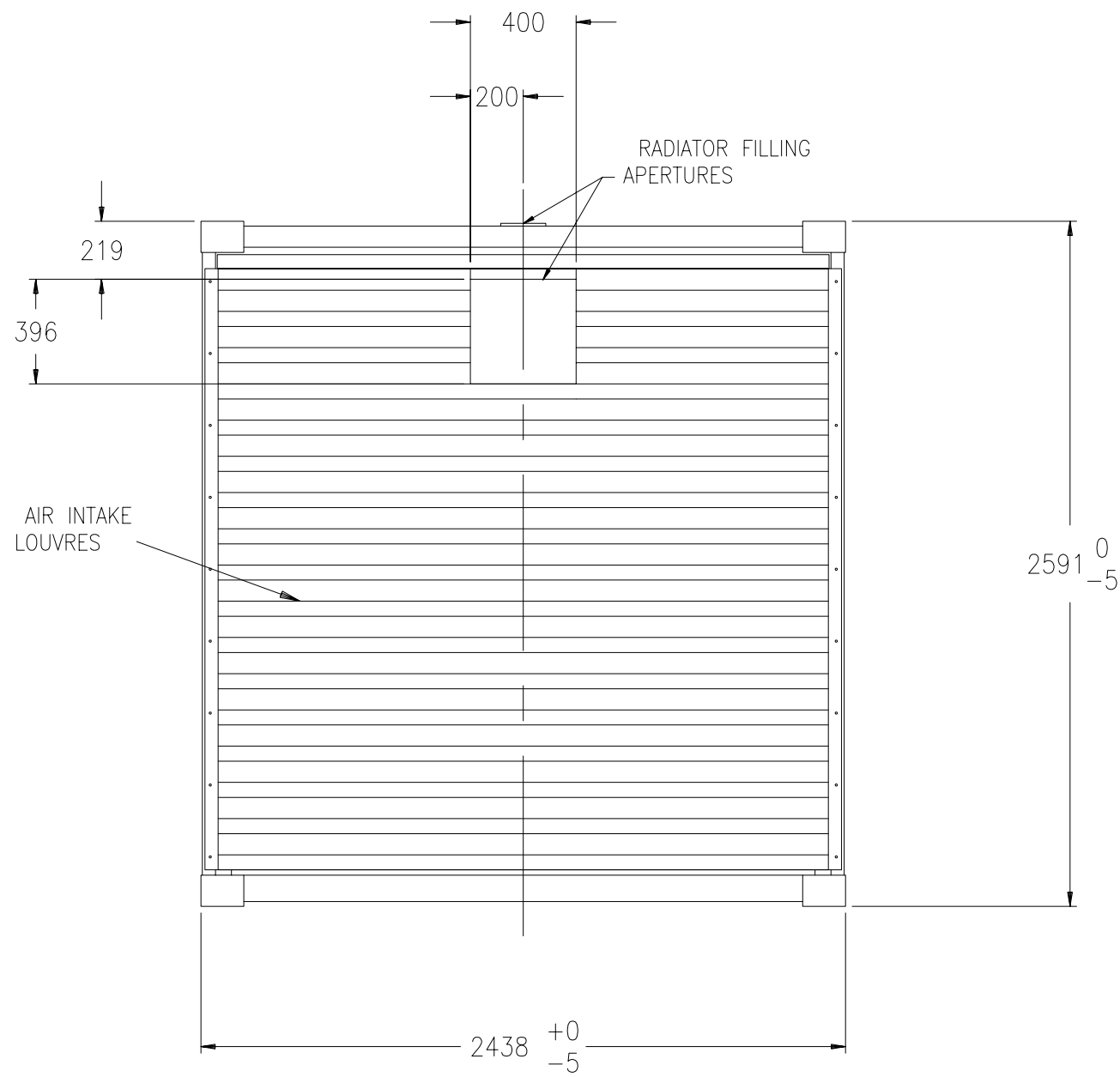


SIDE ELEVATION

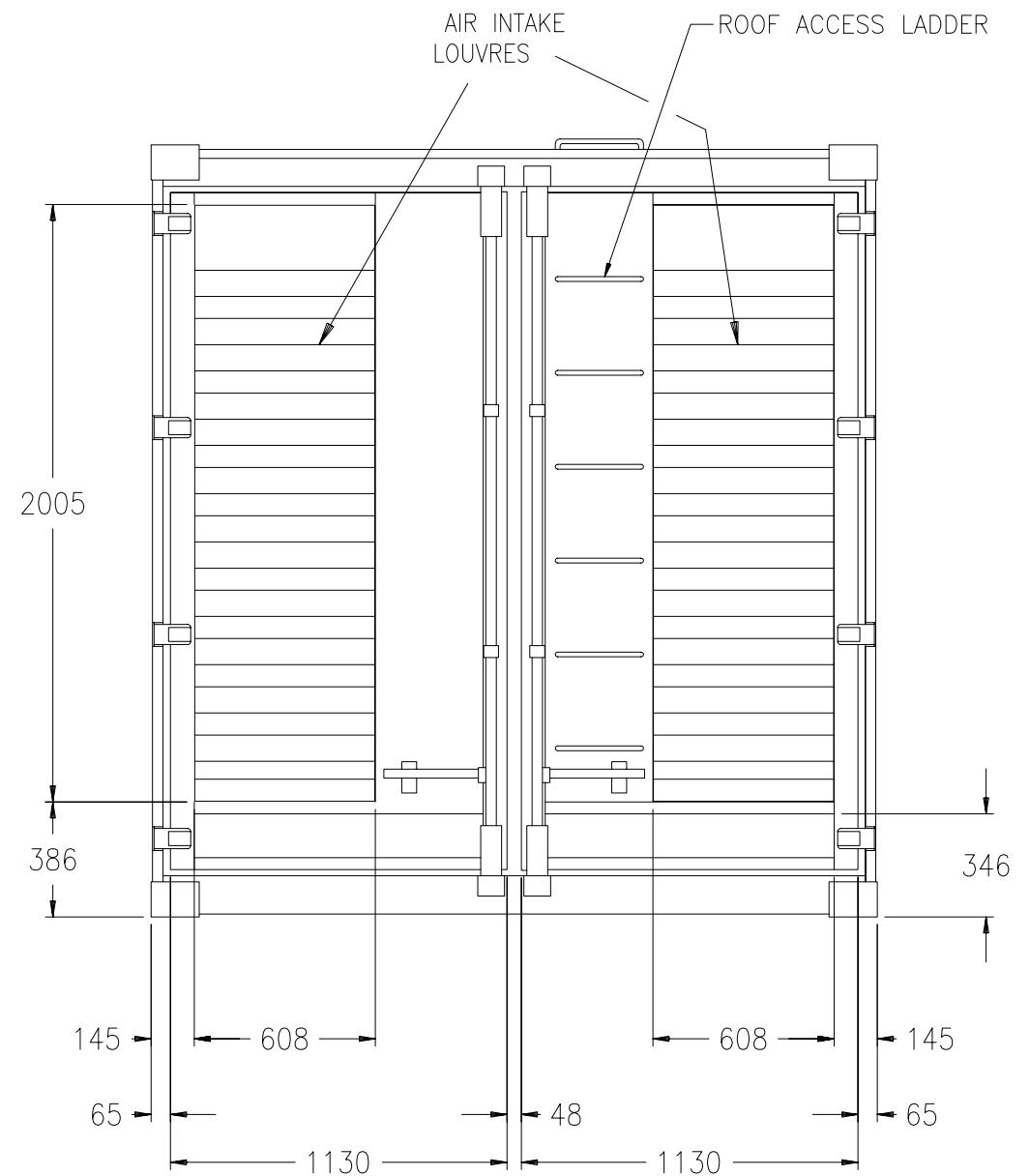
FOR PLAN & ELEVATIONS, SEE SHEETS 1 & 3.

SCALE : 1:25

REVISIONS	A:	1 ST. ISSUE	DRN:	G.PIKE	DATE:	28/06/94	DRN:		DATE:		TITLE: INSTALLATION OUTLINE DRAWING NHC20 / KTA50G2 & 50G3 CONTAINER		AGGREKO U.K. LTD, BIRCH ROAD, BROADMEADOW, DUMBARTON. G82 2RF FAX: +44 (0)1389 742554 TEL: +44 (0)1389 742214								
	B:	1-1/2" BSP DRAIN PLUGS REMOVED FROM FLOOR. ECN 1423-03.	DRN:	J.DAVIDSON	DATE:	10/03/04	DRN:		DATE:							DRAWN: G.PIKE	APPROVED: _____	DRG.No. A050001	SHEET No. 2	No OF SHEETS 3	REV. B
																DATE: 28/06/94	DATE: _____				



FRONT ELEVATION  
(RADIATOR COOLING  
AIR INTAKE)



REAR END ELEVATION  
(ENGINE SPACE COOLING  
AIR INTAKE)

SEE SHEETS 1 & 2  
FOR PLAN & SIDE  
ELEVATION

SCALE : 1:25

REVISIONS	A:	1 ST. ISSUE	DRN:	G.PIKE	DATE:	28/06/94	DRN:		DATE:		TITLE: INSTALLATION OUTLINE DRAWING NHC20 / KTA50G2 & 50G3 CONTAINER  DRAWN: G.PIKE DATE: 28/06/94  APPROVED: DATE:		AGGREKO U.K. LTD, BIRCH ROAD, BROADMEADOW, DUMBARTON. G82 2RF FAX: +44 (0)1389 742554 TEL: +44 (0)1389 742214	DRG.No. A050001	SHEET No. 3	No OF SHEETS 3	REV. B
	B	SEE SHEET No.2.	DRN:	J.DAVIDSON	DATE:	10/03/04	DRN:		DATE:								