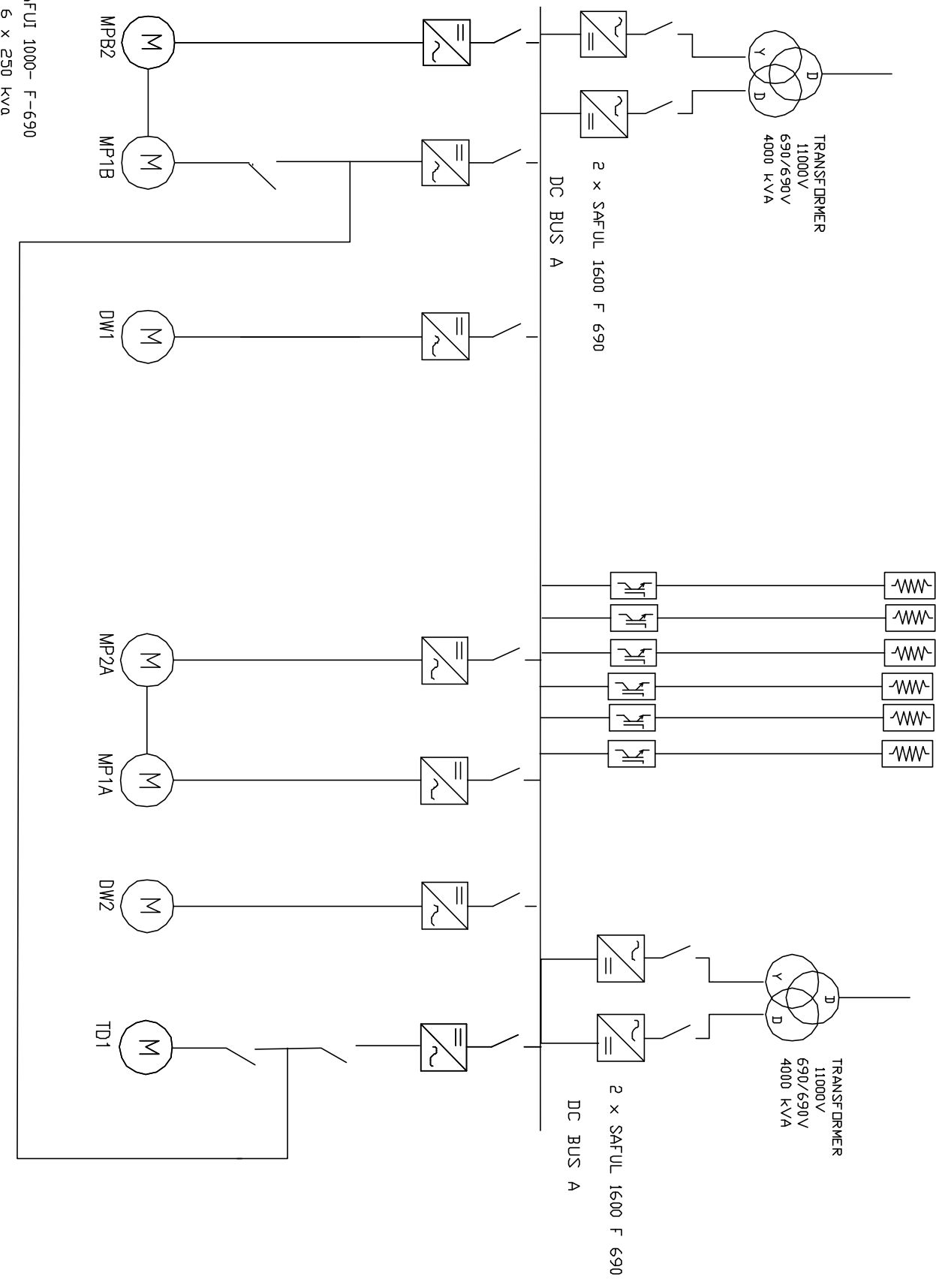


A

AC DRILLING SWITCHBOARD LINEUP #1

SEAWATERCOOLED BREAKING RESISTORS
6 x 250kW BREAKING POWER 10SEC/MINUTE
6 x 70kW BREAKING POWER CONTINUOUS



Inverter: 7 x SAFUI 1000-F-690
Braking Chopper: 6 x 250 kva

We reserve all rights in this document and in the information contained therein. Reproduction, use or disclosure to third parties without express authority is strictly forbidden

© ABB 1994

FILE ID.:

ABBRAMME

D

1

2

3

4

5

6

PRELIMINARY

01	Issued for Tender	Prepared	ARFU	SINGLE LINE DIAGRAM Drilling Drives swbd.	Ref. No.:	Proj.Doc.No.:	
Rev. ind.	Revision	Approved	TROLL INFO TROLL		Project No.:	P. O. No.:	
Based on	-				Resp. dept	Rev. ind	
						Lang	
						Sheet	01
						Cont	-
						en	

D

C

B

A