



**BEEBE**  
INTERNATIONAL, INC.

---

**ULTRA-LO**  
**MANUAL CHAIN HOIST**  
**OPERATION & MAINTENANCE MANUAL**  
**FOR**

MODEL NO. ULB-100  
SERIAL NO. \_\_\_\_\_  
B/M NO. M12550-B  
P.O. NO. \_\_\_\_\_  
DATE ISSUED 10/29/86

**BEFORE USING THIS PRODUCT**  
**READ**  
**WARNING LABELS**  
**AND**  
**OPERATING INSTRUCTIONS**

---

BEEBE INTERNATIONAL, INC  
2724 SIXTH AVENUE SOUTH, SEATTLE, WASHINGTON 98134  
PHONE (206) 624-0466, TELEX: 328795, P.O. BOX 24046

WARNING

TROLLEY INSTALLATION

The trolley has been designed and built for installation by sliding the trolley on the end of the support beam and does not require disassembly of the trolley hoist.

If vertical installation is required, please contact Beebe International, Inc. in Seattle before this type of Installation is performed.

Failure to do so could cause the trolley drive gear assembly to disengage, enabling the parts to fall free from the trolley and may present a hazard to persons and or equipment.

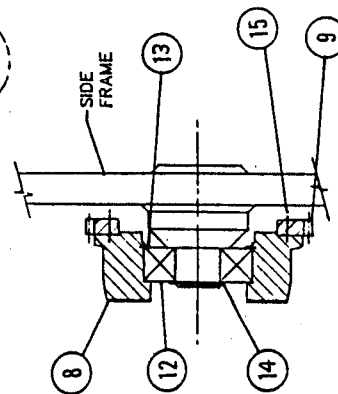
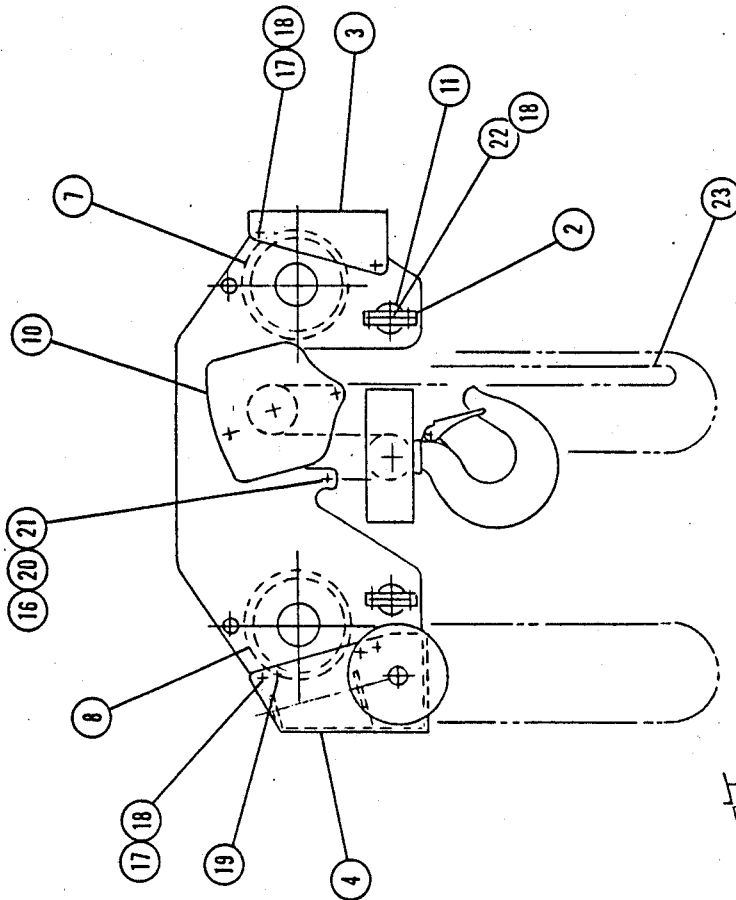
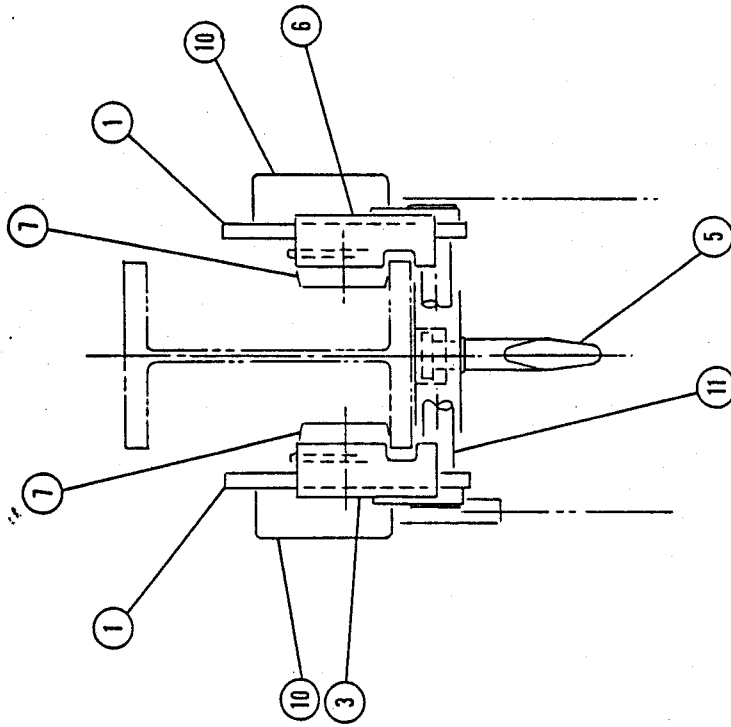
Item No.	Description	Qty.	Drawing No.	Part No.	Remarks
1	SIDE PLATE	2	C12548		
2	END PLATE	4	A12585		
3	END BKT R.H.	1	B12555	-1	
4	TROLLEY DRIVE	1	M12564		
5	HOOK ASSY	1	M12577		
6	END BKT L.H.	1	B12555	-2	
7	WHEEL-PLAIN <sup>W/</sup> <sub>BRG</sub>	2	71607		
8	WHEEL-DRIVEN	2	B12561		
9	GEAR	2	A12556		
10	HOIST W/GUIDE	2	A12546		
11	SHAFT-SUSPENSION	2	A12562		
12	BEARING	2			
13	SNAP RING	2	51764		
14	SNAP RING	4	51761		
15	SCREW SOC HD	8			
16	CLIP	1	A12627		
17	SCREW - HH	8			
18	WASHER - LOCK	14			
19	DOWELL	4			
20	SCREW - SOC HD	4			
21	NUT - SELF LOCK	4			
22	SCREW - HH	8			
23	LOADCHAIN				

BILL OF MATERIAL



Assy. Dwg. No.	Ltr.	Date	Revision
B12639	A	10/8/86	PCB WAS A12561
Dimen. Dwg. No.	B	10-29-86	PC 15,16,18 ADD 22,23
Dwn. S1CN			
Ckd. FMS			
Date 10-1-86			

HOIST  
 10 T ULTR-LOW  
 ULB-100



MATL.	B/A # M12550, M12650	FRAC. #	Revision
		TOL. DEC. ± .12"	
		Dwn. SPW	Date
		Chk. <i>PAS</i>	
		Date 10-28-86	
		Scale	

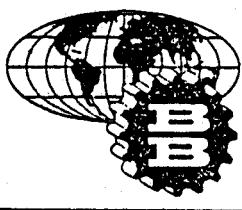
E 86-042  
**HOIST-ULTRA LOW**  
**ULB-100**

**BEEBE INTERNATIONAL, INC.** SEATTLE

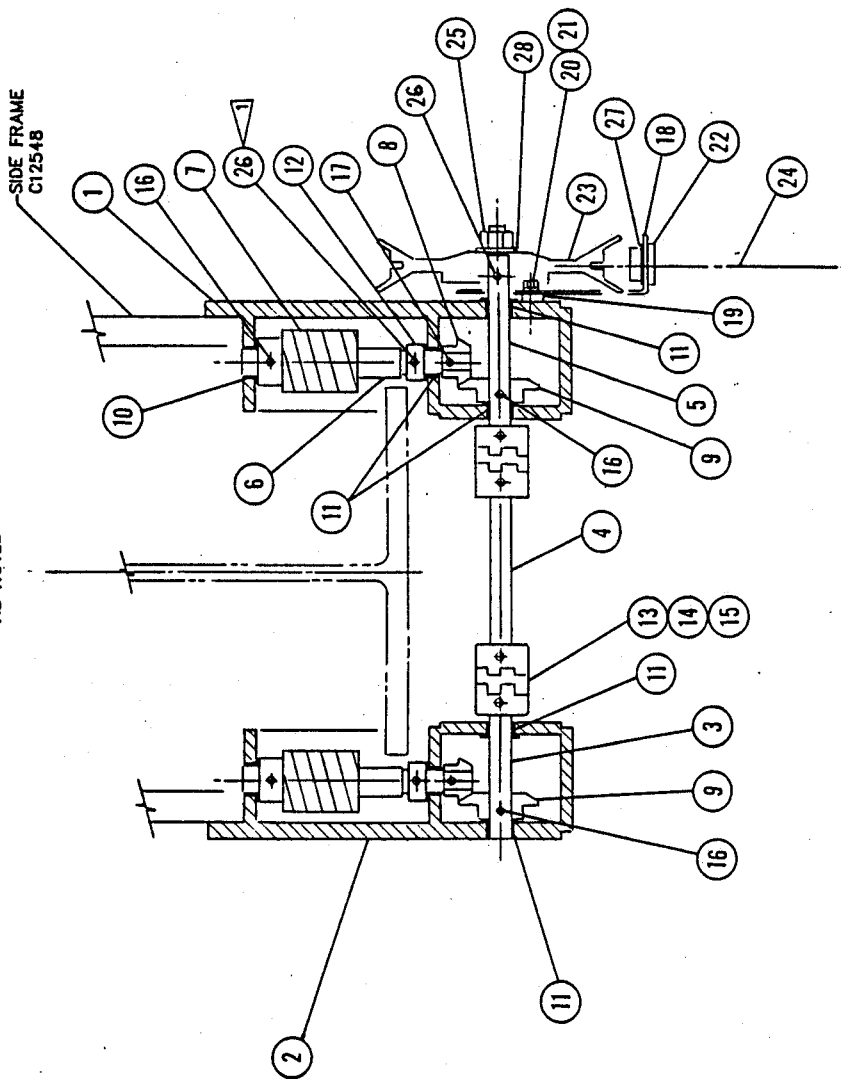
DWG NO. **B1121639** REV.

Item No.	Description	Qty.	Part No.	Remarks
1	BRACKET, R.H.	1	B12558	
2	BRACKET, L.H.	1	B12559	
3	SHAFT	1	B12510-4	
4	SHAFT	1	B12510-5	
5	SHAFT	1	A12578	
6	SHAFT	2	B12579	
7	GEAR - WORM	2	A12580	
8	BEVEL GEAR	2	A12581	
9	BEVEL GEAR	2	A12582	
10	BUSHING	2		
11	BUSHING	5		
12	COLLAR	2		
13	COUPLING HALF	4	A12524	
14	COUPLING INSERT	2		
15	PIN	4		
16	PIN	4		
17	PIN	2		
18	HAND CHAIN GUIDE BRACKET	1	A12583	
19	SPACER	2	A12584	
20	SCREW - HEX HEAD	2		
21	WASHER - LOCK	2		
22	BUSHING	2	2982-1	
23	HANDWHEEL	1	A12538	
24	HAND CHAIN			
25	NUT-LOCK	1		
26	PIN	3		
27	SNAP - RING	2	51398	
28	WASHER - FLAT	1		
29				
30				
31				
32				
33				
34				
35				
36				
37				
38				

**BILL OF MATERIAL**

	Assy. Dwg. No.	Ltr	Date	Revision	<p align="right">E86-042</p> <p align="center"><b>TROLLEY DRIVE ASSEMBLY ULB-100</b></p>	
	B12640	A	10-16-86	ADD ITEMS 23-26		
		B	10-29-86	ADD ITEMS 27,28		
	Dimen. Dwg. No.					
	B12440					
Dwn. FLANAGAN						
Ckd.						
Date: 10-2-86						
<b>BEEBE INTERNATIONAL, INC. SEATTLE</b>					Drawing No.	Revision
					M	1

SYMM EXCEPT  
AS NOTED



NOTES

1 SLIDE COLLAR (12) AGAINST BUSHING TO ELIMINATE ENDPLAY OF (6) SHAFT (.000 TO .005 END PLAY DESIREABLE) DRILL 1/4" FOR (26) PIN

SIDE FRAME  
C1254B

MATL	B/M # M12564	Revision	Ltr.	Date
FRAC. 1		E 86-042		
TOL. DEC. 1		TROLLEY DRIVE		
ANG. 1/2"		HOIST-ULTRA LOW		
Dwn. SW		ULB-100		
Ckd. <i>RS</i>		DWG. NO. B1121640		
Date 10-28-66		REV		
Scale		SEATTLE		
<b>BEEBE INTERNATIONAL, INC.</b>				

Item No.	Description	Qty.	Drawing No.	Part No.	Remarks
1	FRAME, HOOK	1		B12554	
2	COVER, SHAFT	2		A12568	
3	HOOK	1		A12560	
4	HOOK NUT	1		A12575	
5	BEARING, THRUST	1		50144	
6	SHEAVE, IDLER	2		2372948	
7	SHAFT, IDLER	2		2372947	
8	CLOSURE	1		A12576	
9	FITING, GREASE	1		50192	
10	SCREW - FH	6			
11	BEARING - IDLER	2		2372949	
12	SCREW, FH <sup>SELF</sup> TAPPING	3			
13	KEY	1			

**BILL OF MATERIAL**



Assy. Dwg. No.	Ltr.	Date	Revision
B12641	A	10/15/86	ITEM 12 ADDED
Dimen. Dwg. No. B12440	B	10-29-86	ADD 13
Dwn. <i>W</i>			
Ckd. <i>PAS</i>			
Date 10-1-86			

ASSEMBLY  
BOTTOM, BLOCK  
ULB 100

**BEEBE INTERNATIONAL, INC.**

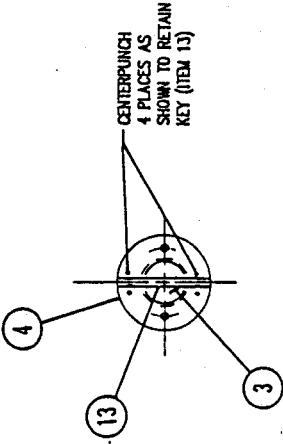
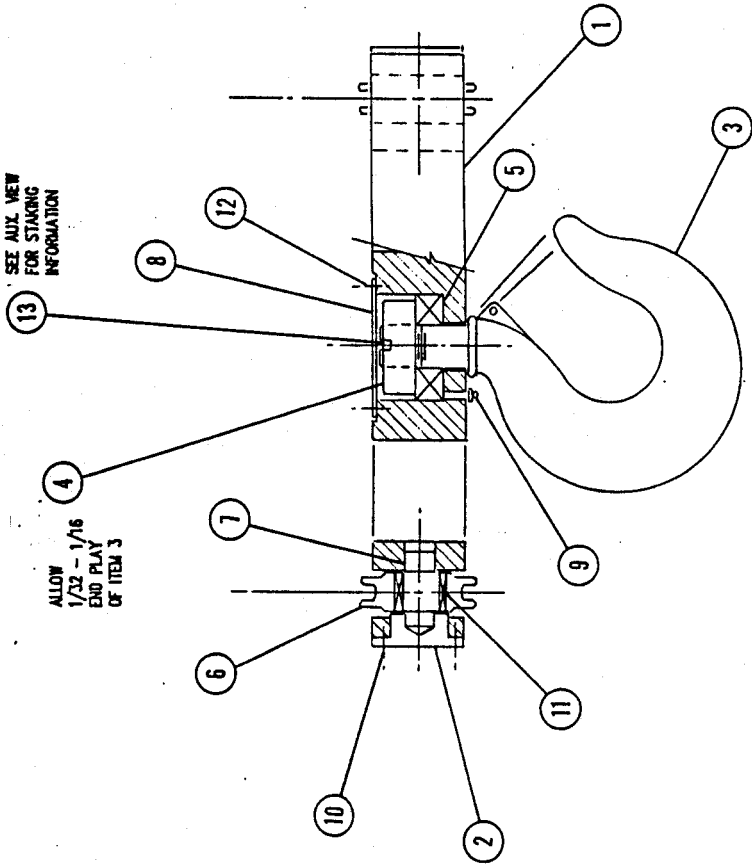
ESG-042  
SEATTLE

DWG. NO. M12577

REV B


SEE AUX VIEW  
FOR STAIRING  
INFORMATION

ALLOW  
1/32 - 1/16  
END PLAY  
OF ITEM 3



CENTERPUNCH  
4 PLACES AS  
SHOWN TO RETAIN  
KEY (ITEM 13)

TOP VIEW OF ITEMS 3 & 4

MATL	B/M # M12577	FRAC. ± TOL. DEC. ± 12° Dwn. SPW Ckd. <i>AS</i> Date 10-20-86 Scale	Ltr.	Date	Revision
			E 86-042		
			BOTTOM BLOCK HOIST-ULTRA LOW ULB-100		
<b>BEEBE INTERNATIONAL, INC.</b> SEATTLE			DWG. NO. B112641		
			REV.		

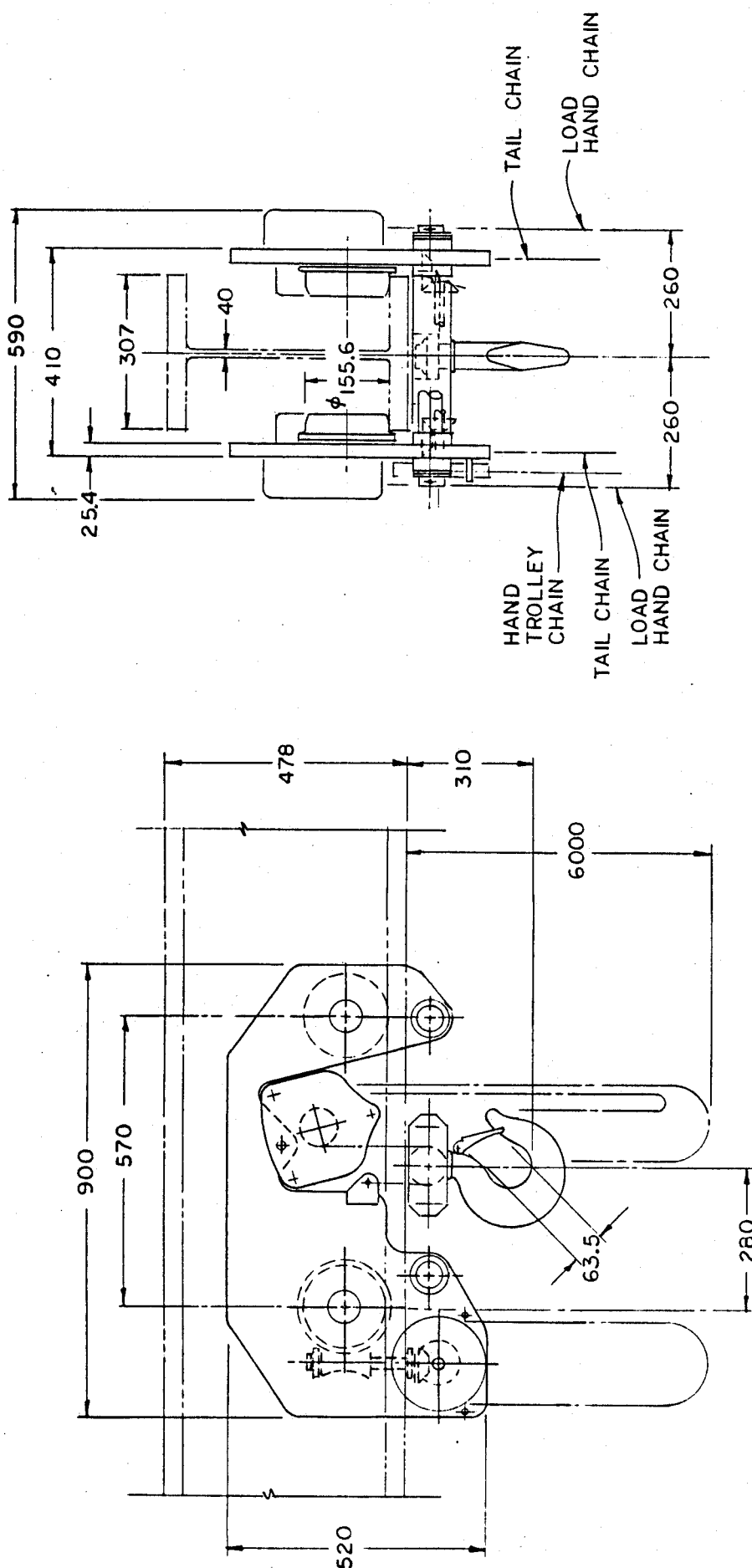


C


1C

C

B 12440



MATERIAL	FRAC. ± TOL. DEC. ± 1/2"		Ltr.	Date	Revision
	Dwn. DEF				
Ckd.		Date 9-2-56			
Scale					



**BEEBE INTERNATIONAL, INC.** SEATTLE

10 TON MANUAL CHAIN  
 HOIST WITH INTEGRAL  
 GEARED TPOLEY  
 ULTRA LD HEADROOM

DWG. NO. **B12440** REV.

BEEBE INTERNATIONAL, INC. SEATTLE  
 MODEL: \_\_\_\_\_  
 CUSTOMER: \_\_\_\_\_  
 P.O. NO.: \_\_\_\_\_  
 PROJECT: \_\_\_\_\_  
 ITEM NO.: \_\_\_\_\_