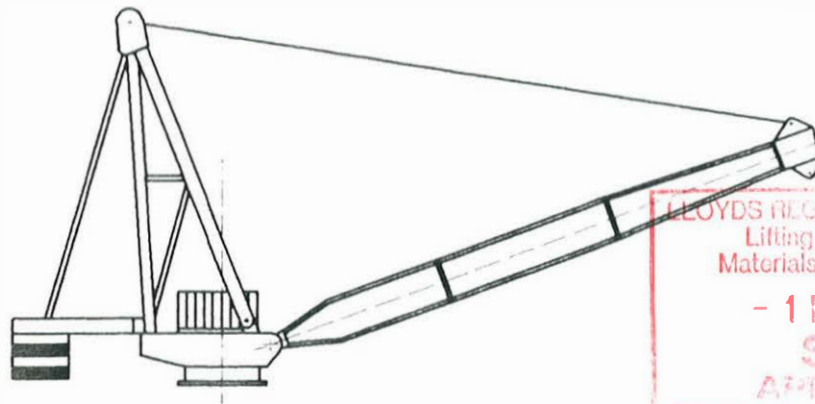
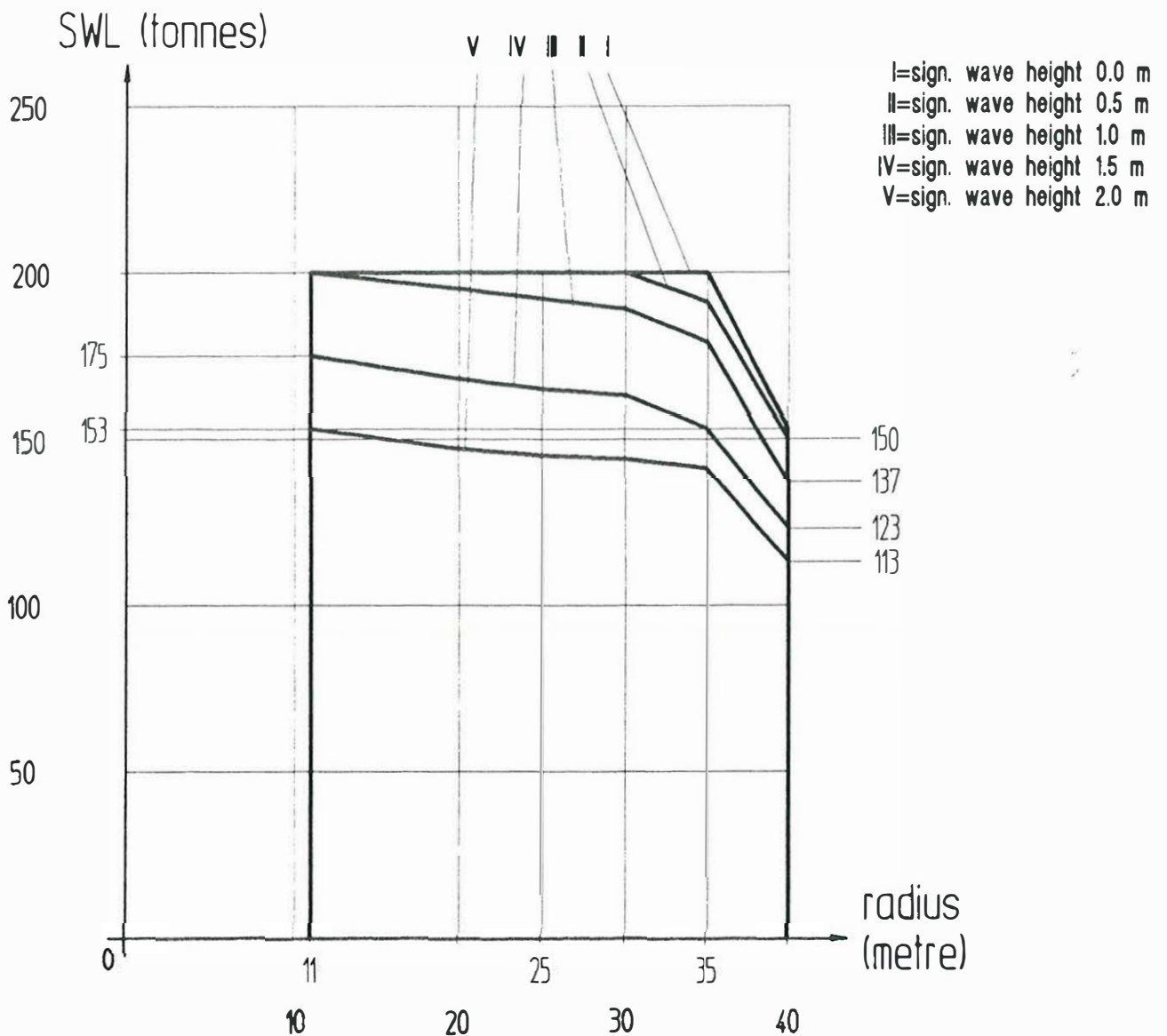


LIEBHERR OFFSHORE CRANE load diagram BOS 400/6500



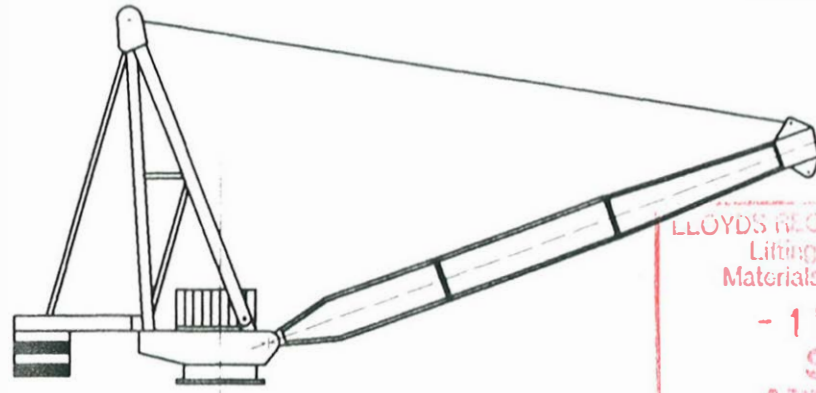
LLOYDS REGISTER OF SHIPPING
Lifting Appliances &
Materials Handling Dept.
- 1 FEB 1995
S Y
APPROVED

**LONG BOOM - 100% COUNTERWEIGHT
MAIN HOIST
2X2 - fall operation**



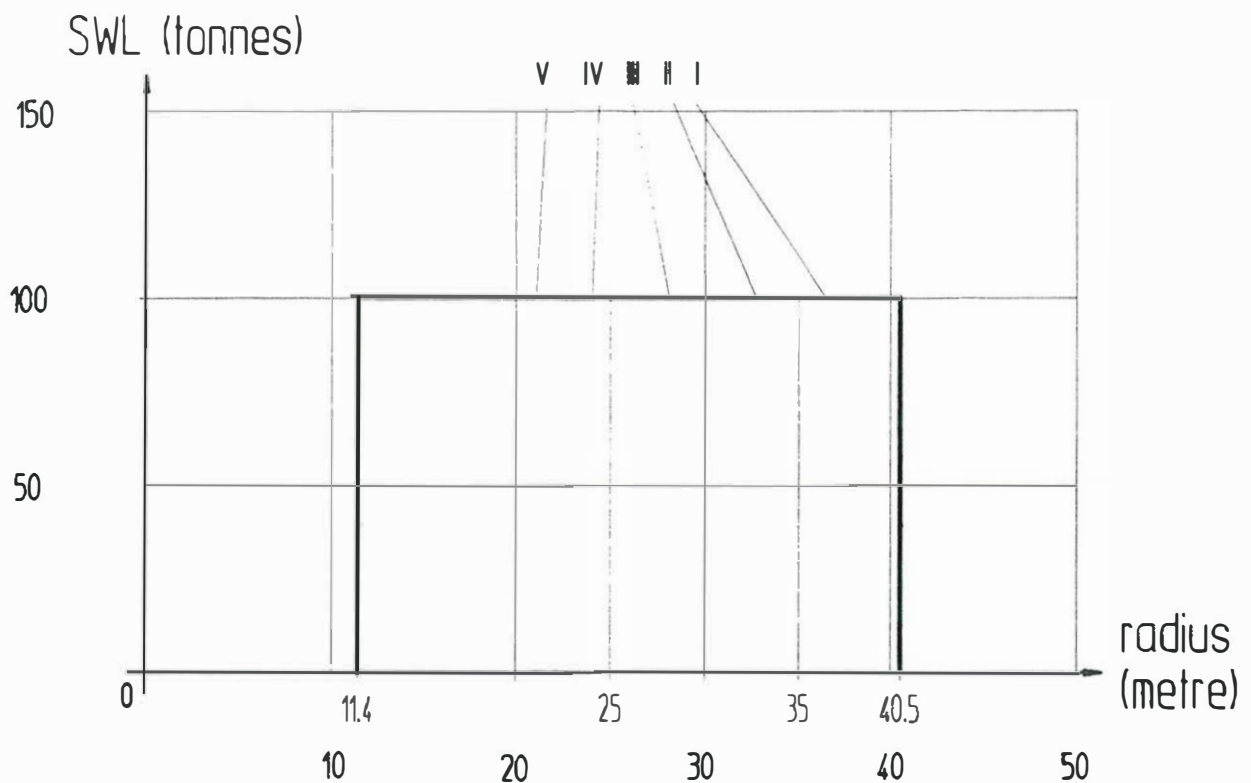
LIEBHERR OFFSHORE CRANE

load diagram BOS 400/6500

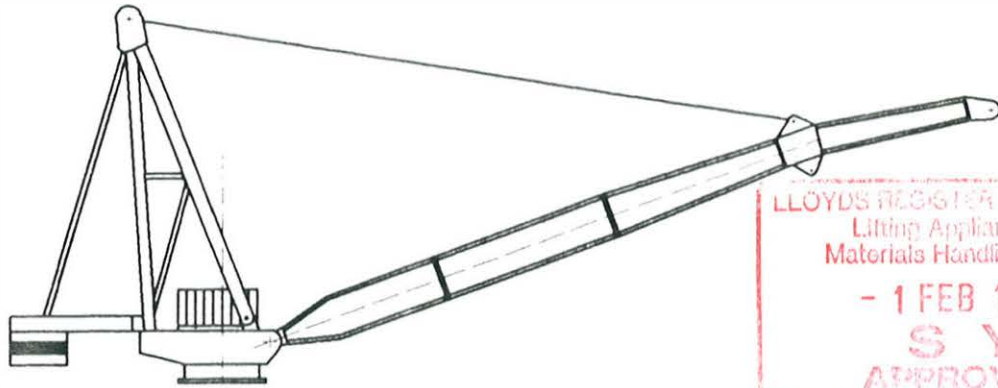


LONG BOOM – 100% COUNTERWEIGHT
MAIN HOIST
2X1 – fall operation

I=sign. wave height 0.0 m
 II=sign. wave height 0.5 m
 III=sign. wave height 1.0 m
 IV=sign. wave height 1.5 m
 V=sign. wave height 2.0 m

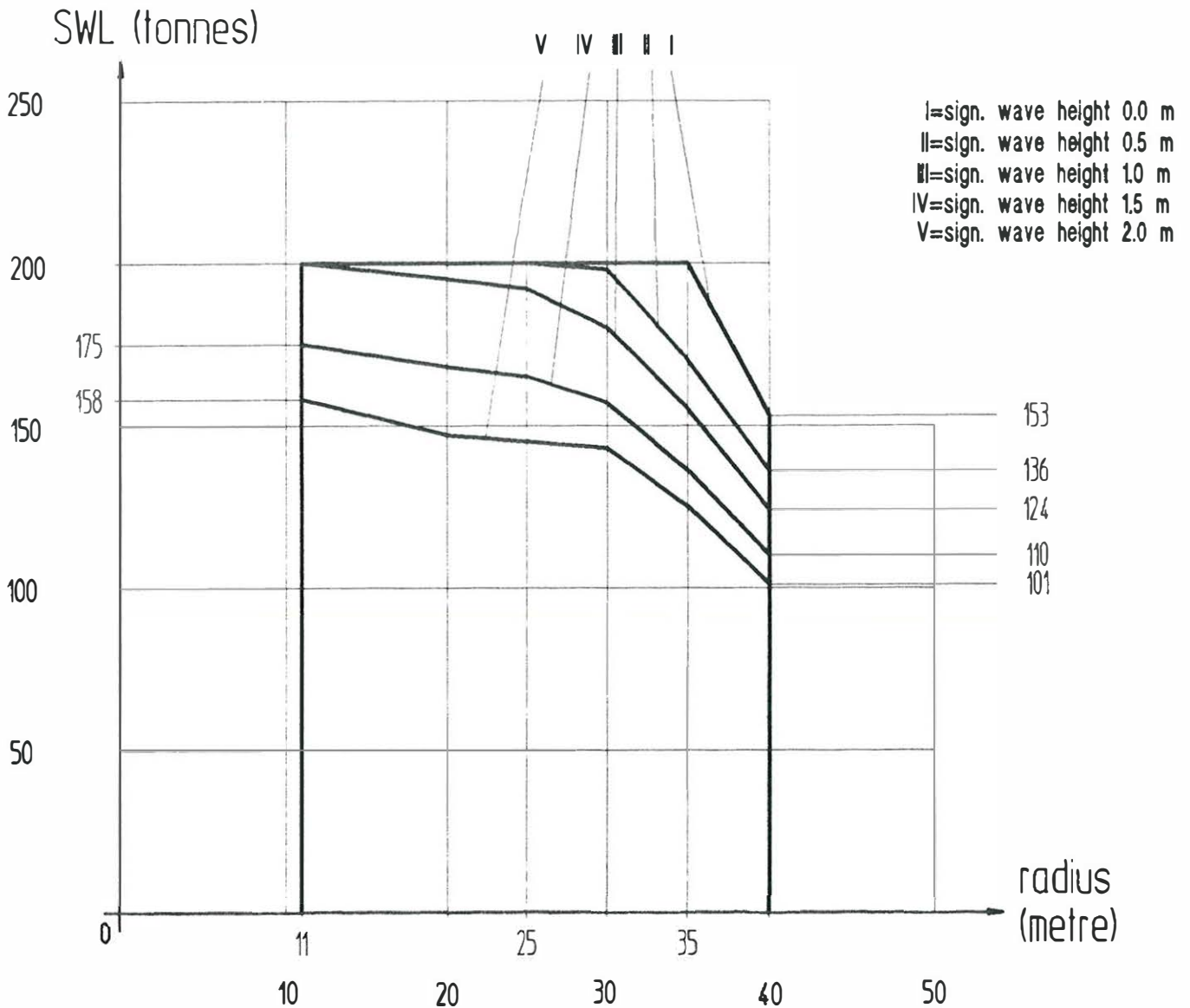


LIEBHERR OFFSHORE CRANE load diagram BOS 400/6500

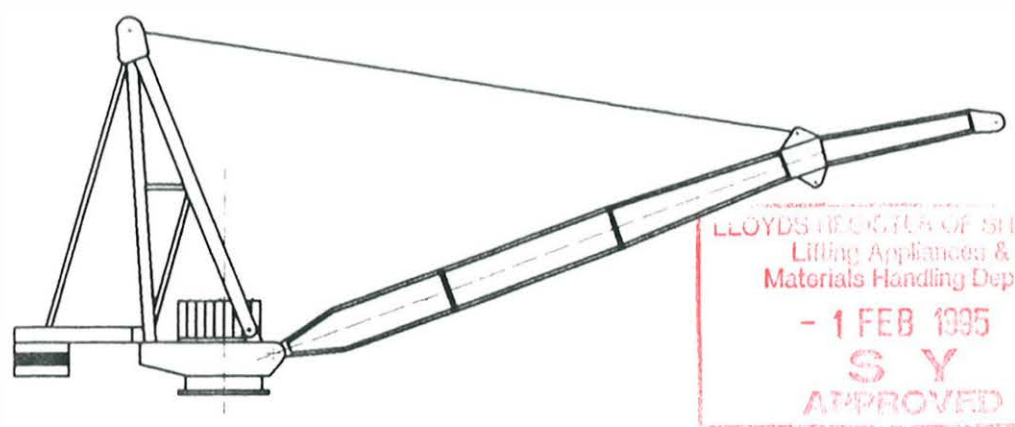


LLOYDS REGISTER OF SHIPPING
Lifting Appliances &
Materials Handling Dept.
- 1 FEB 1995
S Y
APPROVED

LONG BOOM - 75% COUNTERWEIGHT WITH WHIP HOIST
MAIN HOIST
2X2 - fall operation



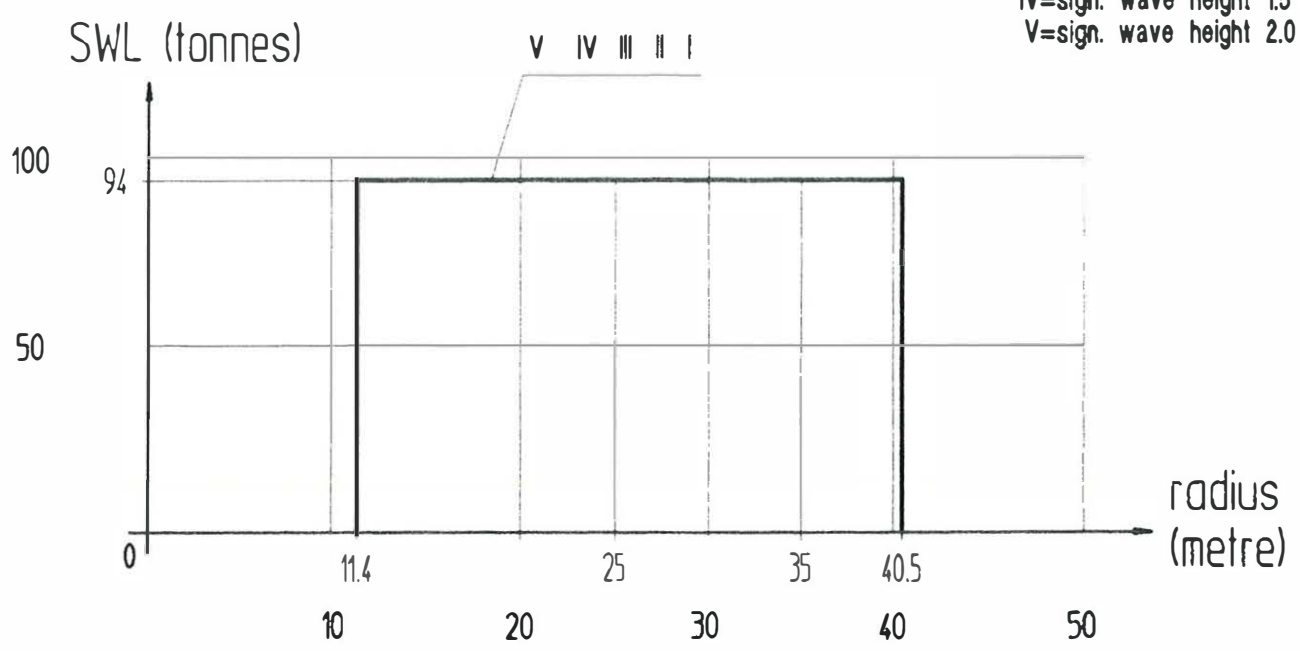
LIEBHERR OFFSHORE CRANE load diagram BOS 400/6500



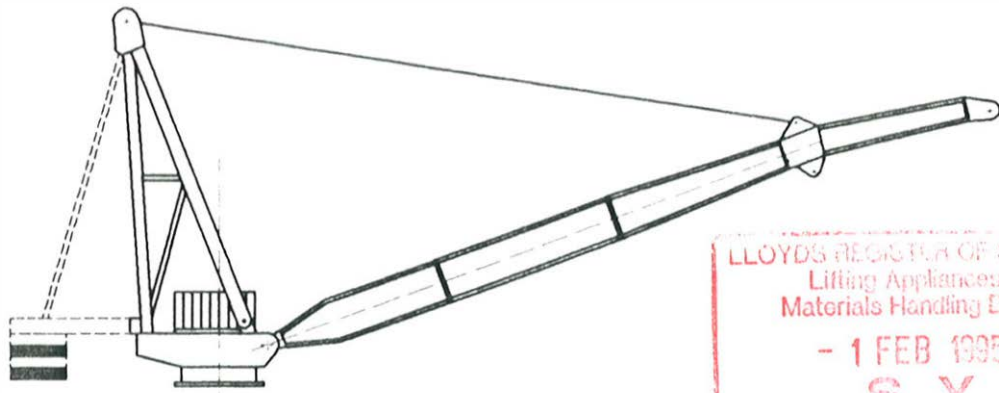
LLOYDS REGISTER OF SHIPPING
 Lifting Appliances &
 Materials Handling Dept.
 - 1 FEB 1995
S Y
 APPROVED

**LONG BOOM - 75% COUNTERWEIGHT WITH WHIP HOIST
MAIN HOIST
2X1 - fall operation**

I=sign. wave height 0.0 m
 II=sign. wave height 0.5 m
 III=sign. wave height 1.0 m
 IV=sign. wave height 1.5 m
 V=sign. wave height 2.0 m



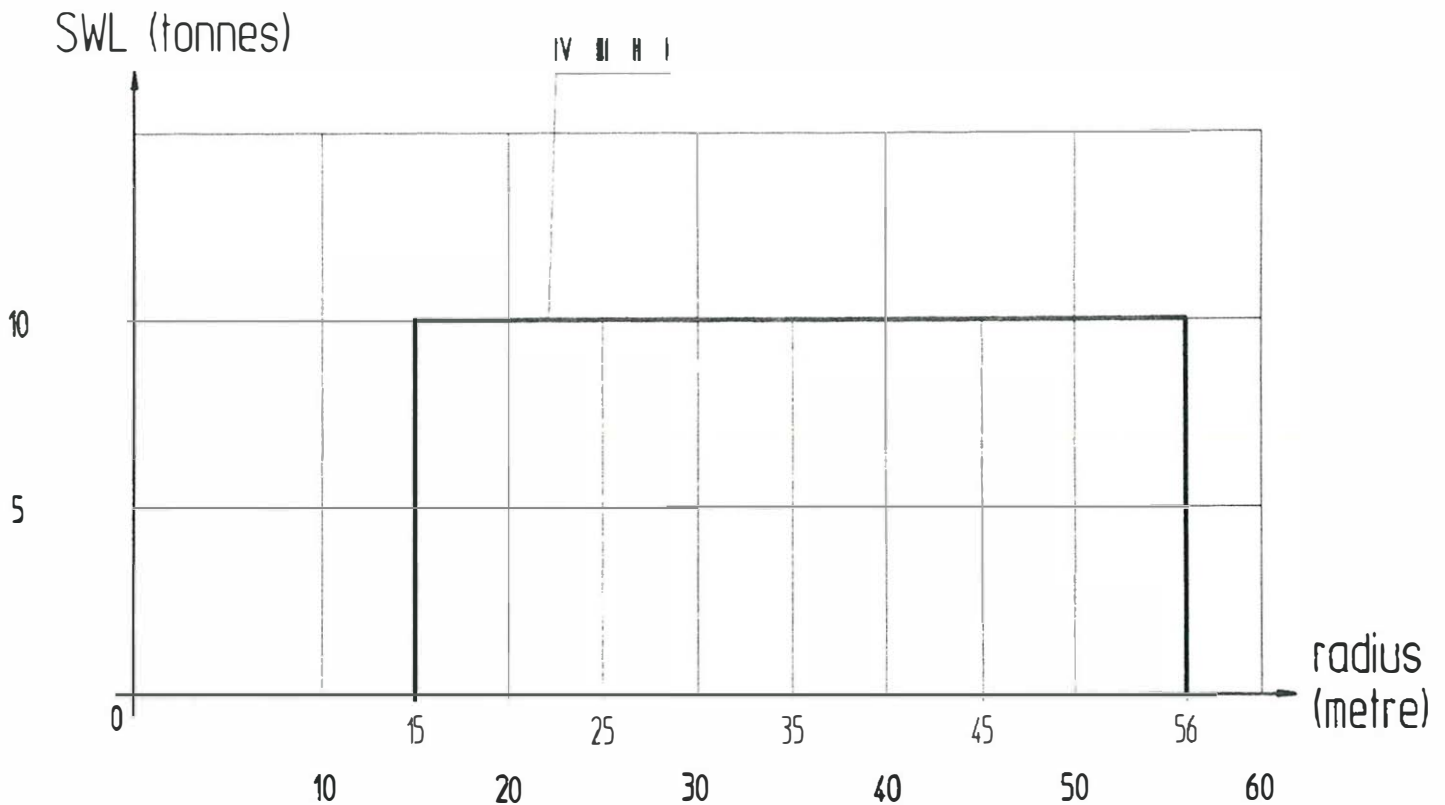
LIEBHERR OFFSHORE CRANE load diagram BOS 400/6500



LLOYDS REGISTER OF SHIPPING
Lifting Appliances &
Materials Handling Dept.
- 1 FEB 1995
S Y
APPROVED

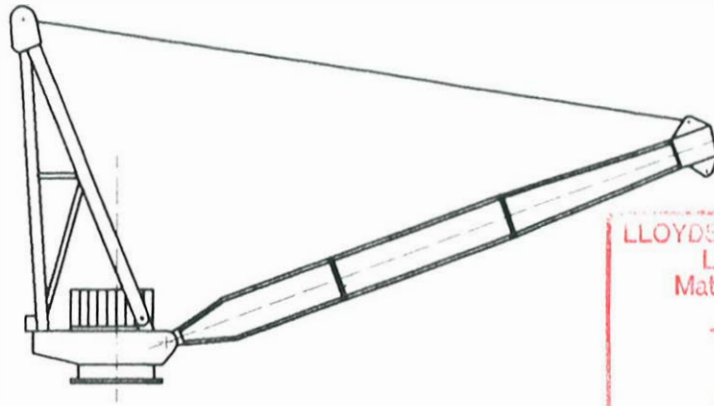
LONG BOOM WHIP HOIST 1 - fall operation

I=sign. wave height 0.0 m
II=sign. wave height 0.5 m
III=sign. wave height 1.0 m
IV=sign. wave height 1.5 m



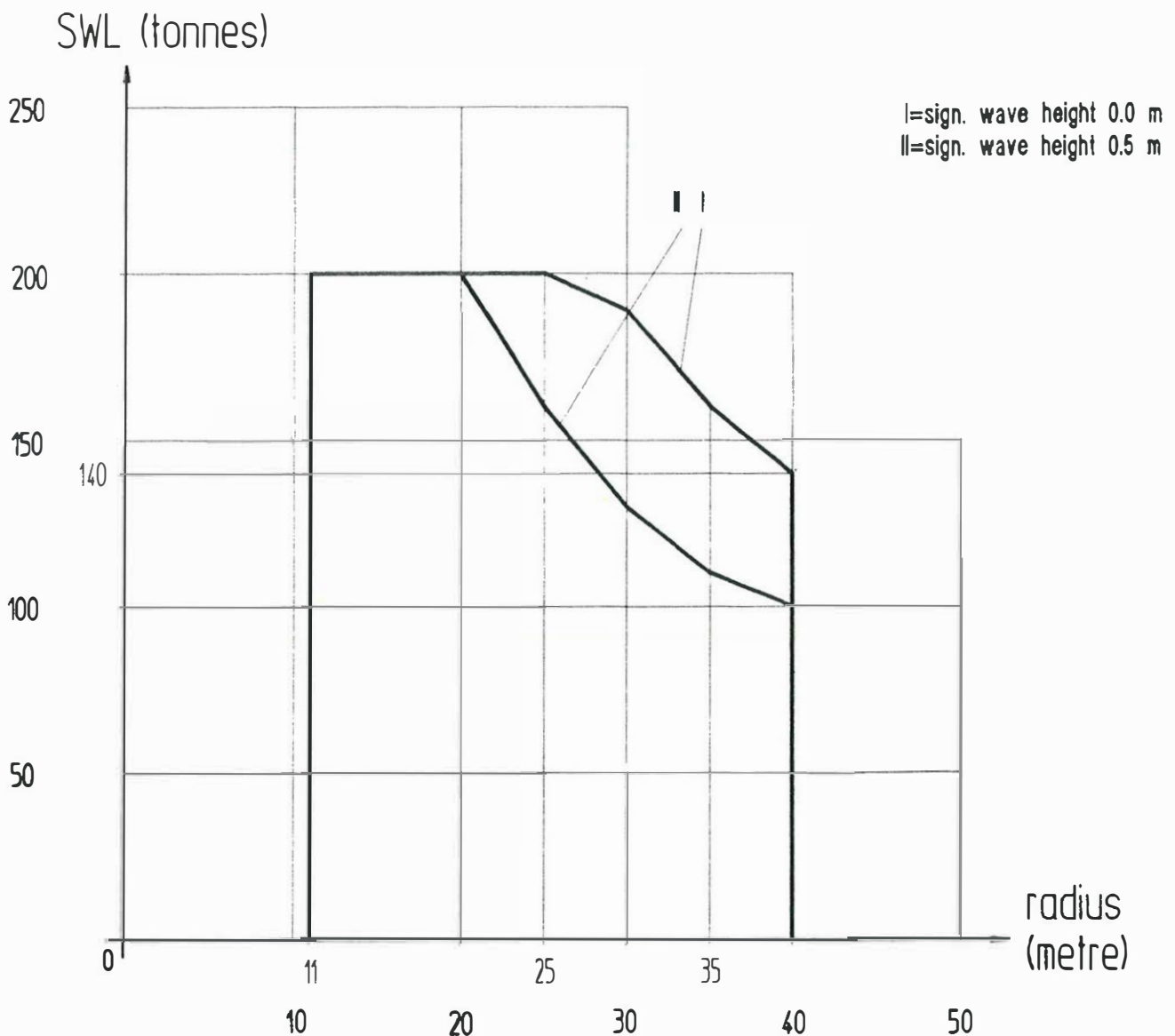
LIEBHERR OFFSHORE CRANE

load diagram BOS 400/6500



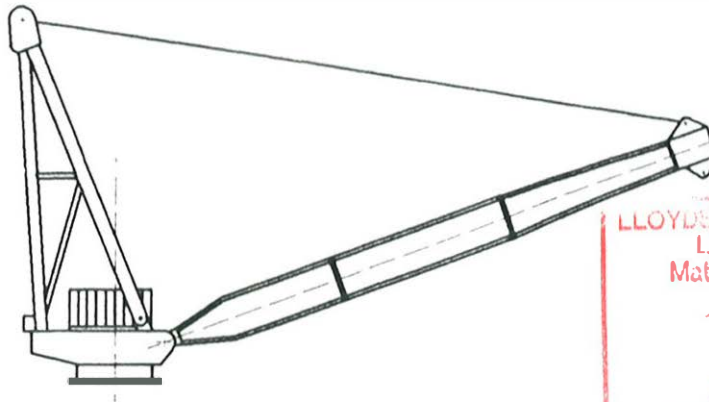
LLOYDS REGISTER OF SHIPPING
Lifting Appliances &
Materials Handling Dept.
- 1 FEB 1995
S Y
APPROVED

LONG BOOM - 0% COUNTERWEIGHT
MAIN HOIST
2X2 - fall operation



LIEBHERR OFFSHORE CRANE

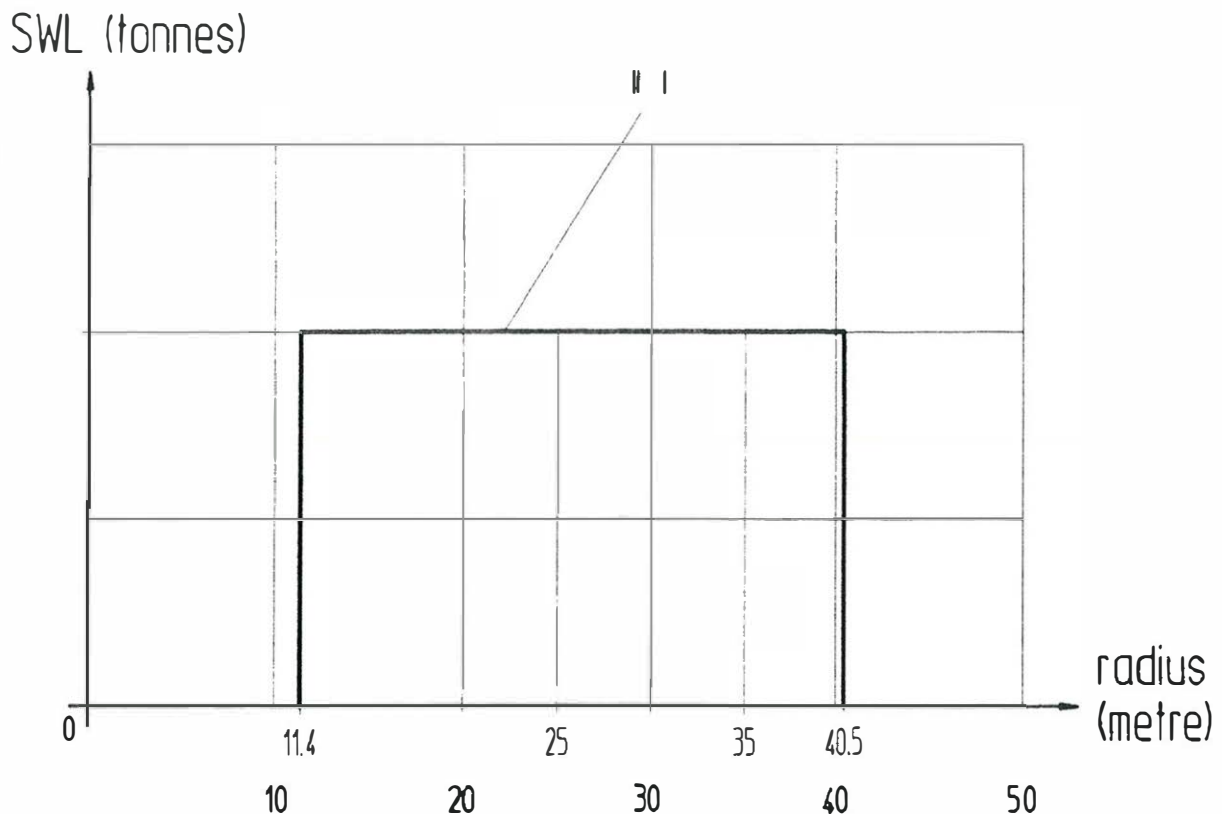
load diagram BOS 400/6500



LLOYDS REGISTER OF SHIPPING
 Lifting Appliances &
 Materials Handling Dept.
 - 1 FEB 1995
S Y
 APPROVED

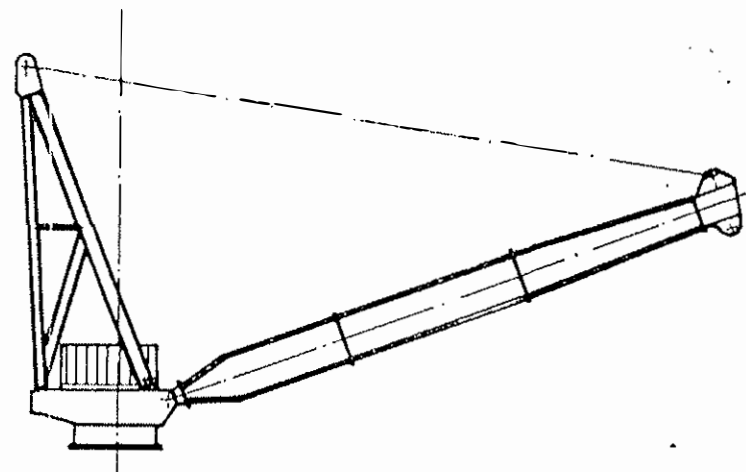
LONG BOOM - 0% COUNTERWEIGHT
MAIN HOIST
 2X1 - fall operation

I=sign. wave height 0.0 m
 II=sign. wave height 0.5 m



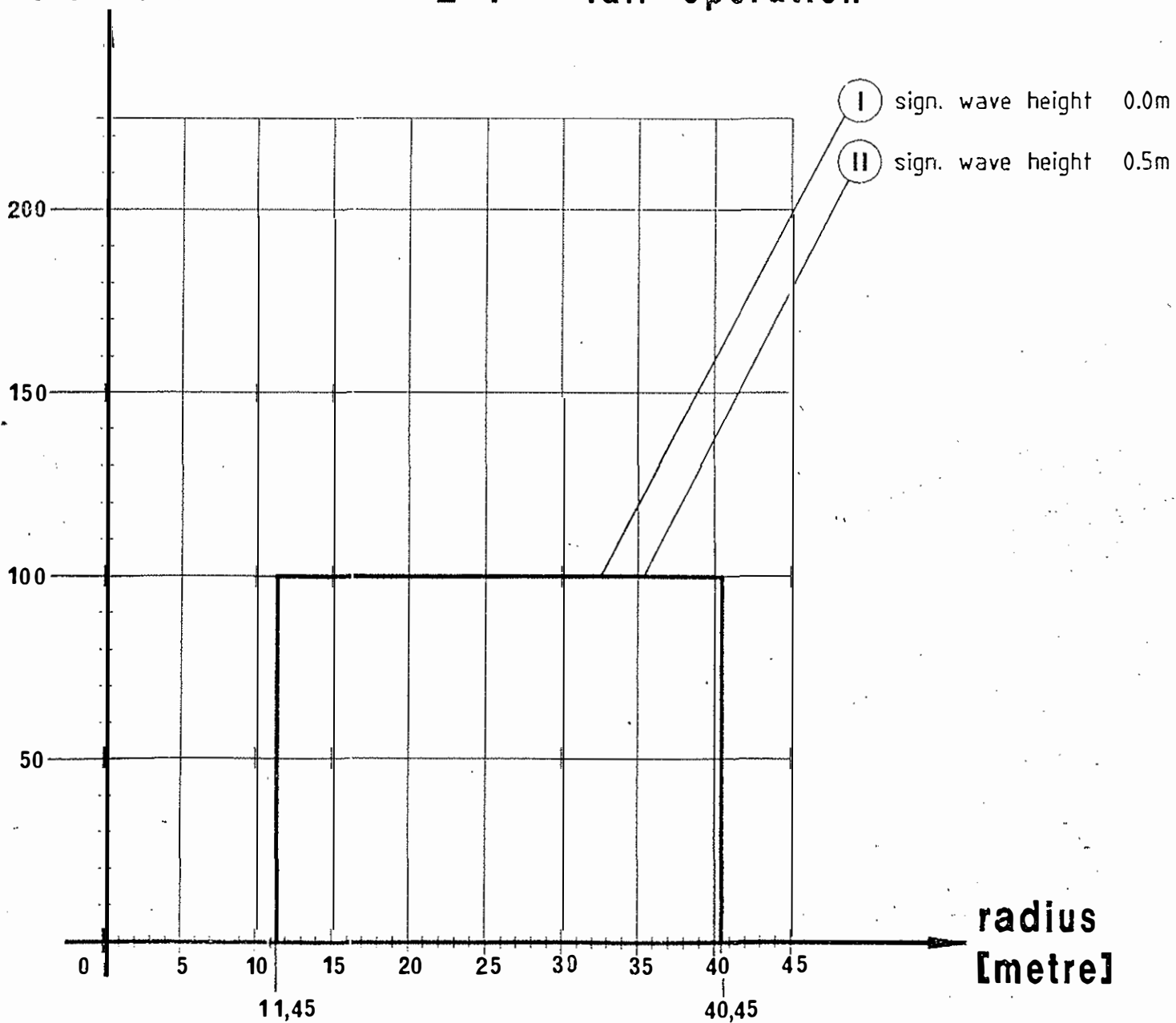
LIEBHERR OFFSHORE CRANE

load diagram BOS 400/6500



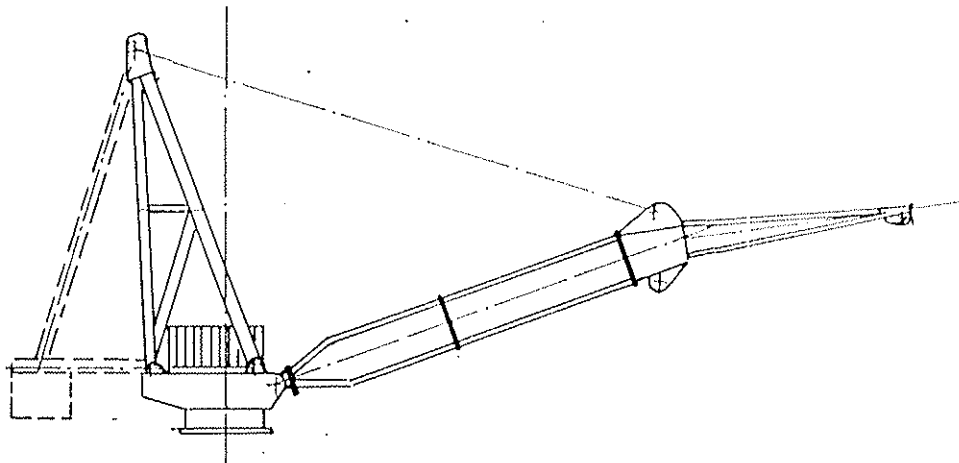
SWL
[tonnes]

main hoist
2*1 - fall operation



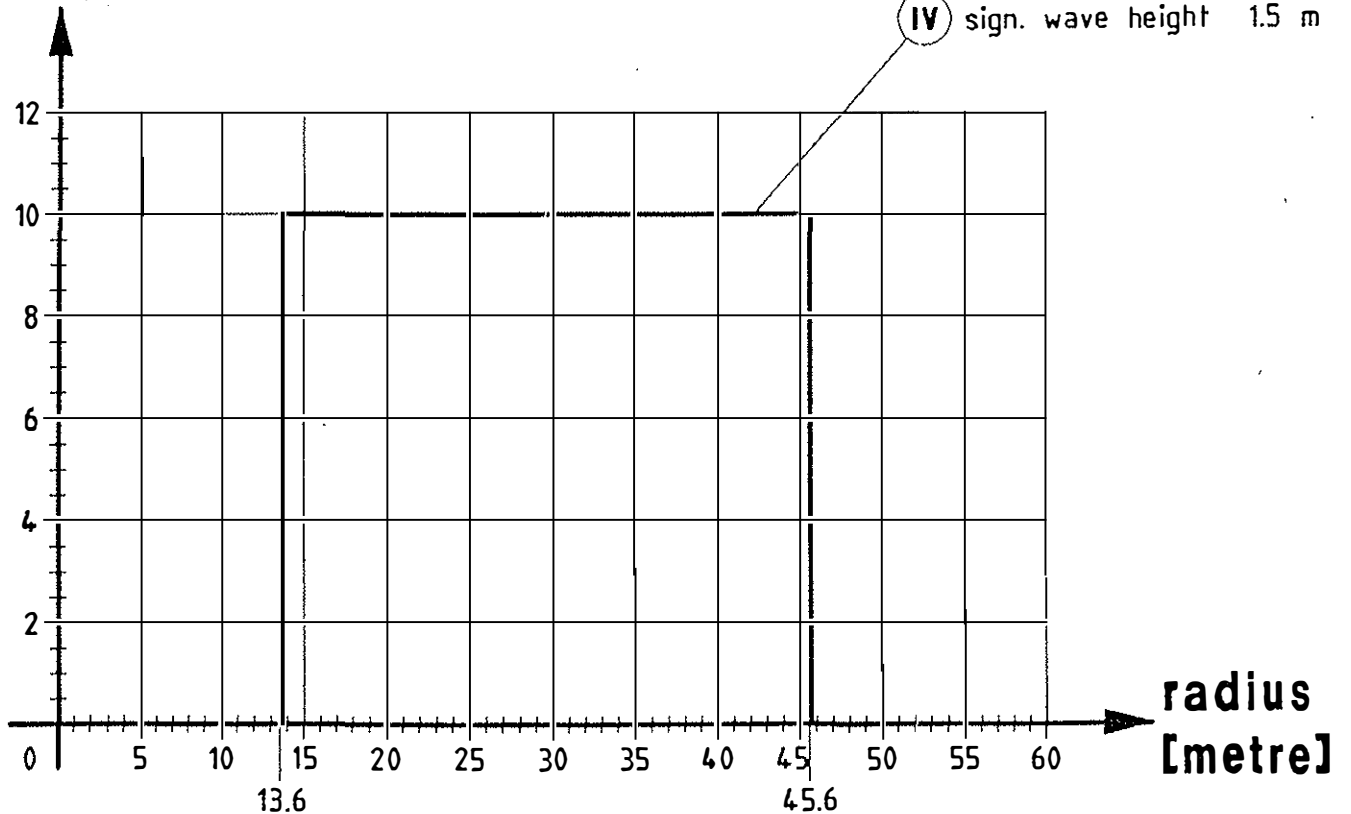
LIEBHERR OFFSHORE CRANE

load diagram BOS 400/6500



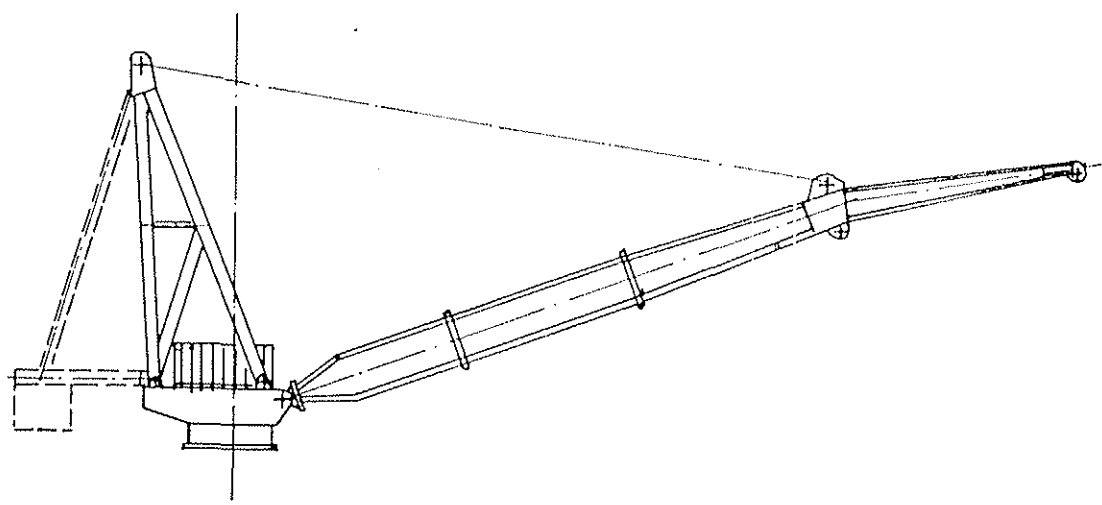
whip hoist
1 - fall operation

SWL [tonnes]



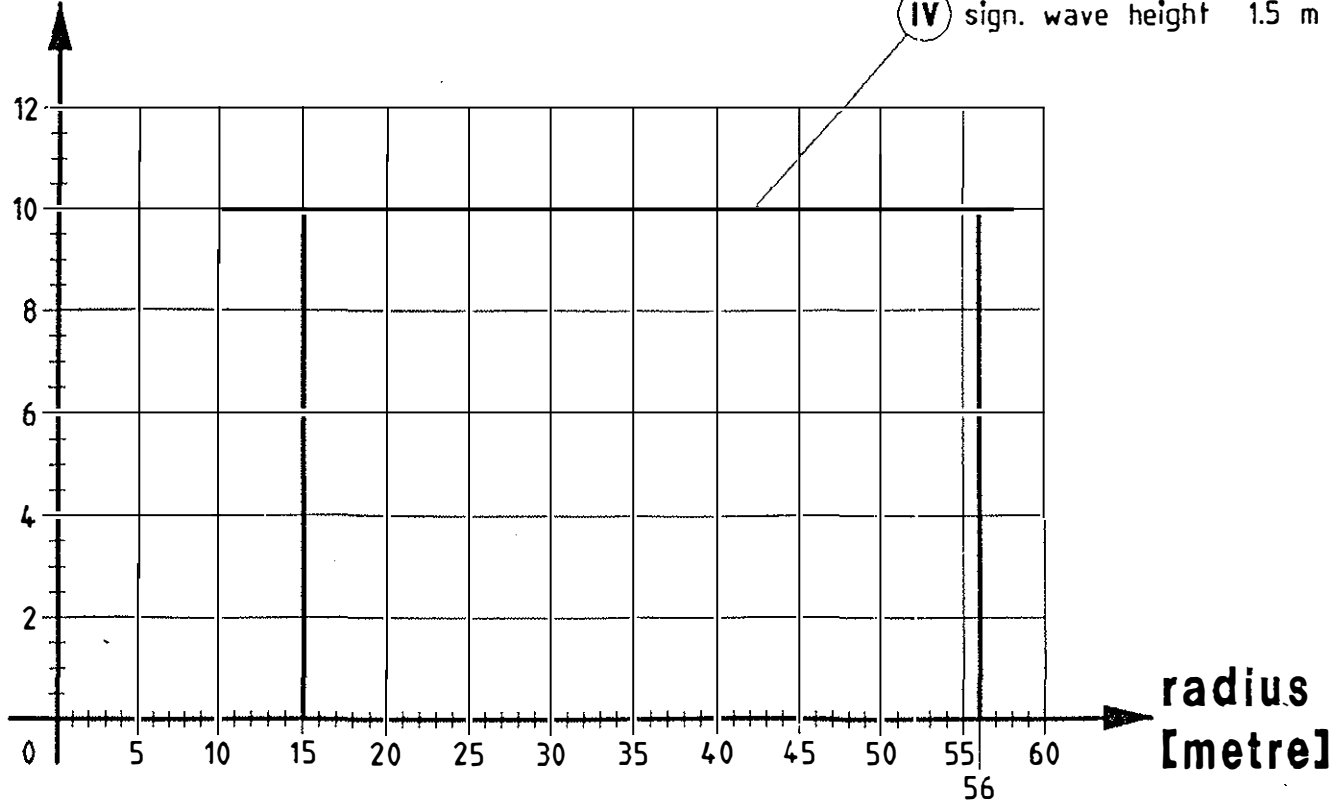
LIEBHERR OFFSHORE CRANE

load diagram BOS 400/6500



whip hoist
1 - fall operation

SWL [tonnes]



radius [metre]