



COFLEXIP DRILLING and REFINING DIVISION
COFLEXIP STENA OFFSHORE GROUP

TECHNICAL DATA SHEET

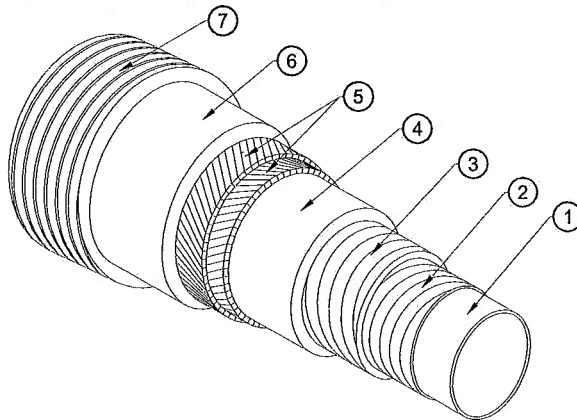
Structure type: ST.050.60073

SIZE : 2" ID

TYPE : COFLON® LINE

10 000 psi WP / 15 000 psi TP

STRUCTURE DESCRIPTION



DESIGNATION

1. Inner Coflon® plastic tube
2. Aramid Fiber Tape
3. Zeta spiral
4. Anti-wear sheath
5. Crosswound tensile armours
6. External plastic sheath (RILSAN)
7. Outerwrap interlocked steel carcass

CHARACTERISTICS	ENGLISH	METRIC
Inside diameter	2.00 in	50.80 mm
Outside diameter	4.37 in	110.90 mm
Minimum bending radius (MBR)	- for storage	2.20 ft
	- in service	3.30 ft
Volume	- internal	0.022 cuft/ft
	- external	0.098 cuft/ft
Weight	- in air empty	20.56 lbs/ft
	- in air full of seawater	21.96lbs/ft
Pressure	- design pressure	10 000 psi
	- factory test	15 000 psi
	- bursting pressure	22 510 psi
Damaging pull in straight line	117 553 lbf	532.42 kN
Bending stiffness at 20° C	2 018 lb.ft ²	0.83 kN.m ²
Working temperature	-20°C to +130°C	-4°F to +266°F

All the data herein contained is for information only and can be modified by COFLEXIP STENA OFFSHORE without prior notice