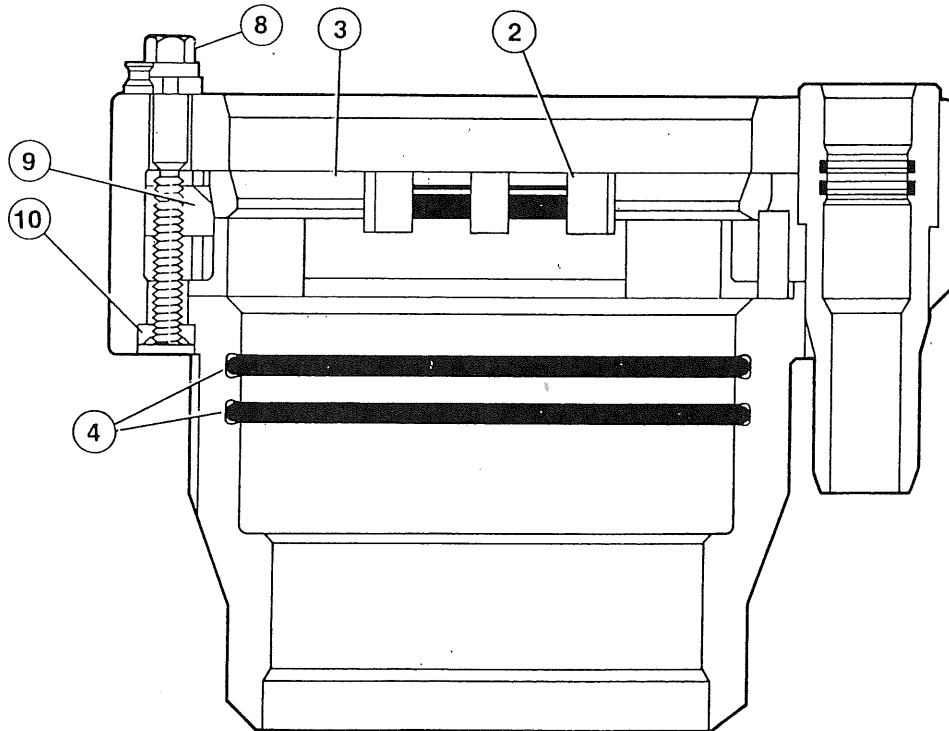


SECTION B-B



SECTION A-A

RCK Female Riser Connector Hardware

Parts List: RCK Female Riser Connector Hardware
P/N 694242-01 SD-RCK-139

ITEM	PART NO.	QTY.	DESCRIPTION
1	18539-91	4	SCREW, SOCKET HEAD, 7/16" - 14UNC X 2-3/4" LG.
2	684977	2	SPRING ASSEMBLY, CLP, RING RETURN
3	694104-03	2	CLAMP RING, SPLIT
4	40314-18-20-70	2	"O" RING, 21-1/8" X .410"
5	702526-03-20	4	SCREW, SOCKET SHOULDER, 5/16" - 18UNC X 2" LG.
6	685506	4	SLEEVE, LOCKING
7	40310-11	4	SPRING, ACTUATOR LOCK
*8	687941	4	ACTUATOR BOLT
*9	687976-01	4	CLAMP SEGMENT
*10	687942	4	ACTUATOR BOLT NUT
			*NOT PART OF 694242-01