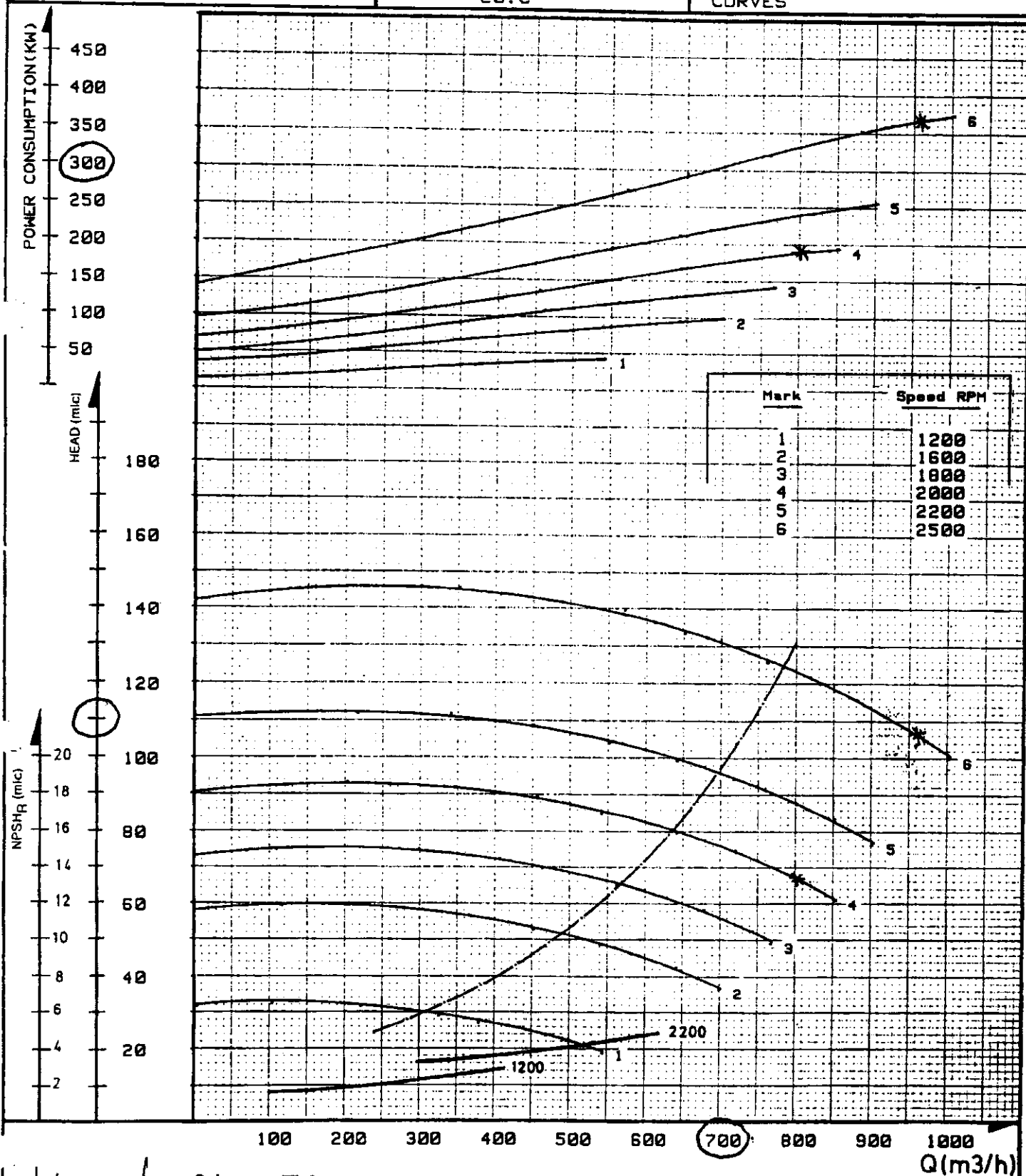


# PERFORMANCE DIAGRAM FOR FRAMO PUMPS

PUMP TYPE	PB10 S/N 17370 1979	ORDER NO:	FM
PROG NO	306-289-1 (A)	MEDIUM	FRESH WATER
IMP DIAM	380	SPEC.GRAV.	1.0
DRIVER	A2F 355	VISC	1.0 cSt
TEST POSITION	FEED TANK	TEMP	20.C
		REMARKS:	INDUCER * ESTIMATED CURVES



NV BGN 21.6.-79



**FRANK MOHN A/S**  
PUMP & GEAR WORKS  
BERGEN - NORWAY

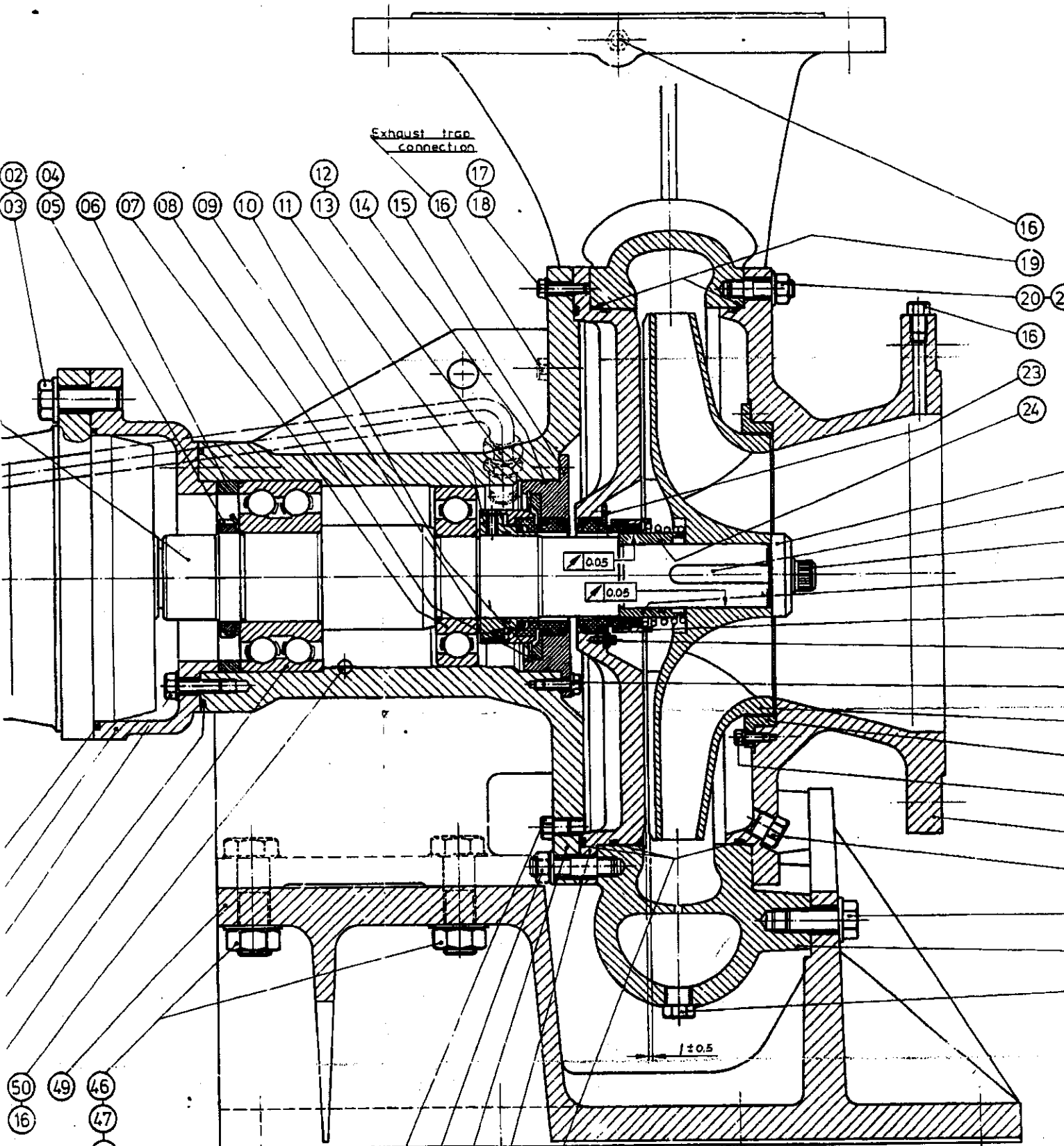
This drawing is the property of FRANK MOHN A/S. It is not to be traced, copied or published without their written consent, nor to be misused in any way.

	SIGN.	DATE
Constr.	LV	250687
Traced		

PB10

Replaces:  
306-327-3

DT 25/6 79



Mechanical seals, items 11 and 29 to be assembled in accordance with 290-36-4  
 Stud screw items 45 and 20 to be secured with Loctite 270.  
 Plugs items 38 and 16 to be sealed with PTFE tape  
 Screw items 27 and 30 to be secured with Loctite 242

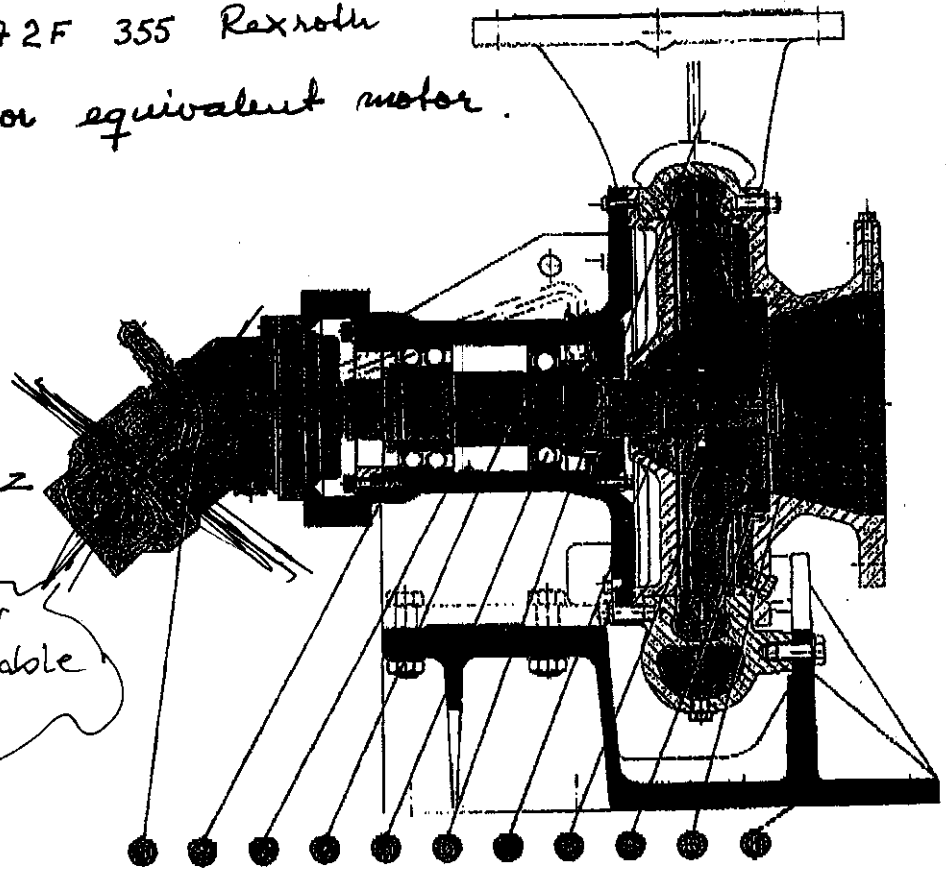
Exhaust trap connection

- 16
- 45
- 44
- 43
- 42
- 21
- 22

2	1	156687	
1	1	156570	
Item's list			
Part No. Description 156687 156570			
1:2 1:8			

- 1. Hydr. motor # 2 F 355 Rexroth
- 2. Ball Bearing or equivalent motor.
- 3. Bearing house

- 4. Shaft 316
- 5. Ball bearing
- 6. Discharge
- 7. Mechanical seal
- 8. Impeller
- 9. Wearing ring
- 10. Suction house Brz
- 11. Foundation

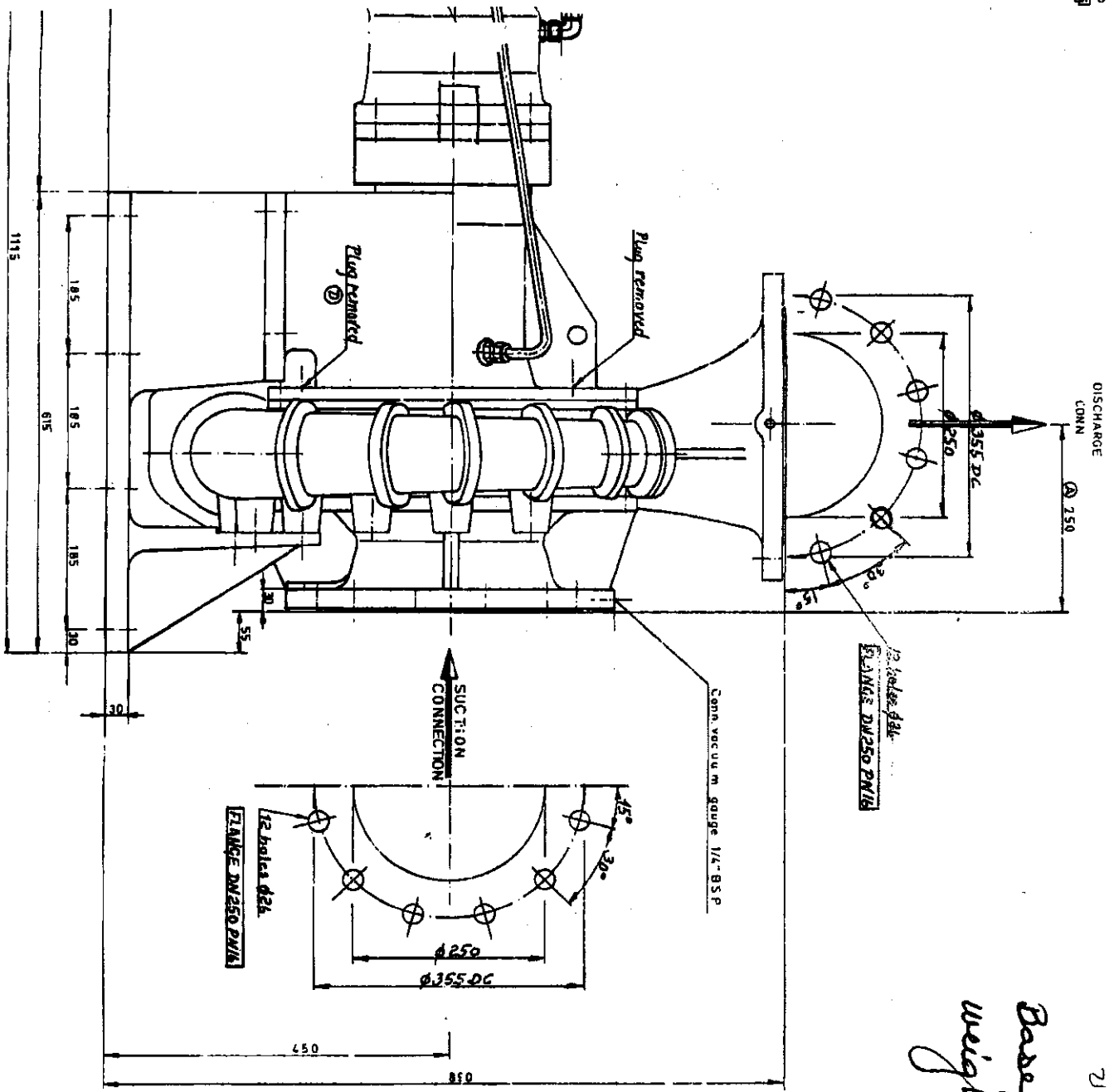


Hydr. motor  
not available

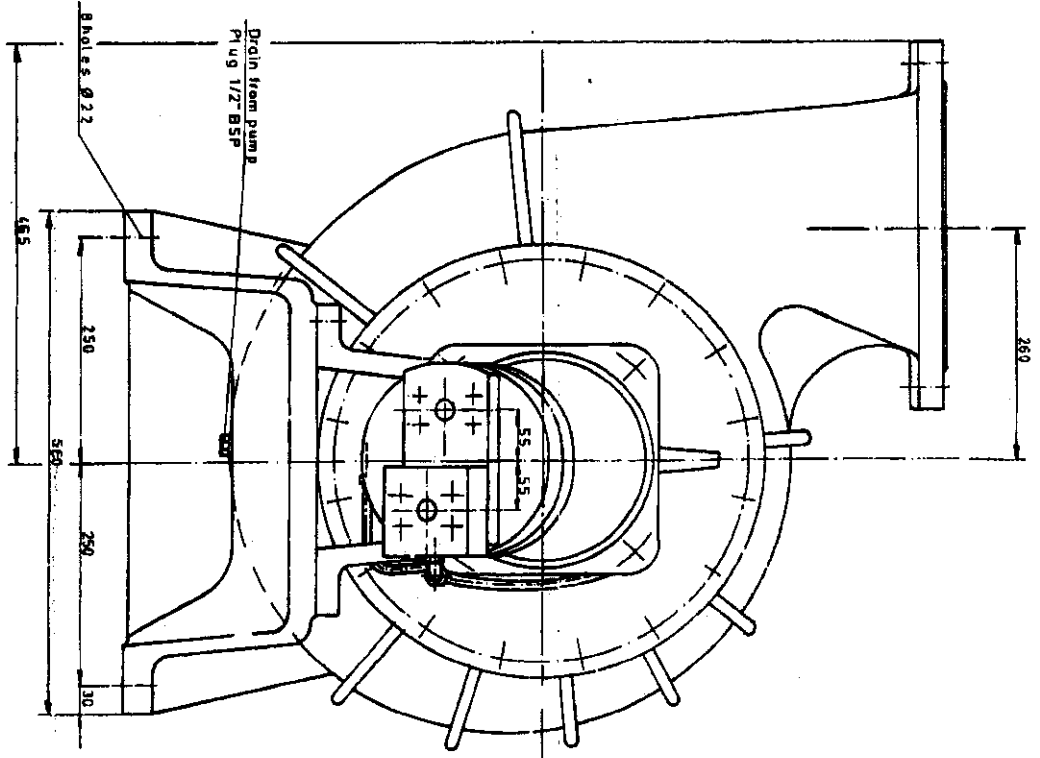
The Framo type PB10 pump gives you all these advantages:

- Hydraulic motor is splined directly to the pump shaft
- Bearing internally lubricated by hydraulic oil
- Cofferdam space between cargo mechanical seal and bearings
- Dry and submerged construction.

1 stk unused.  
unused.



Section B-B



Baseplate, approx. 1.2 x 1.3 meters  
 weight, approx. 700 kg.

101 205 004  
 250027