



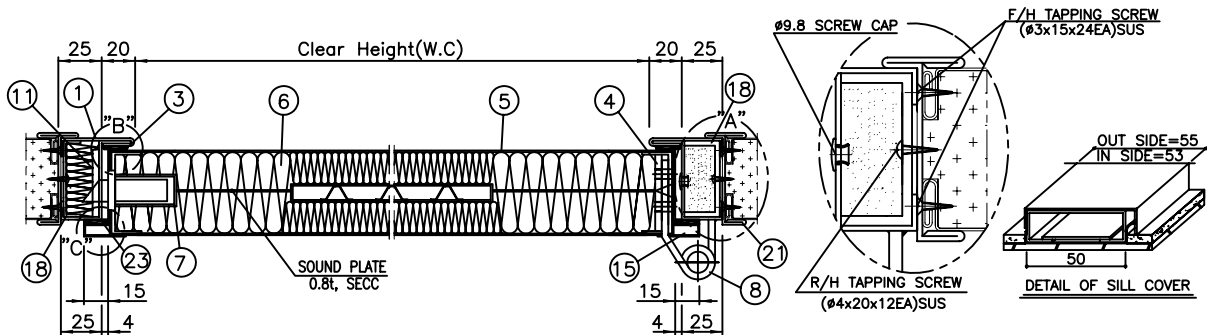
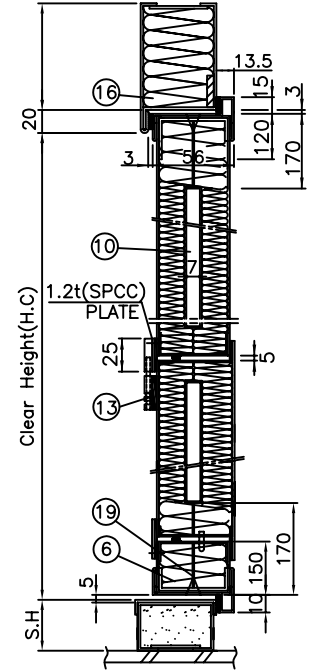
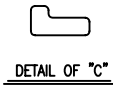
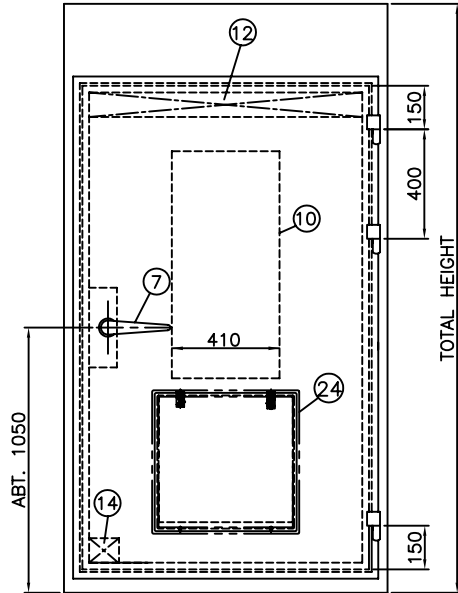
STANDARD NAME

B-30 CLASS FIRE RETARDING DOOR

FRAME : **B30-1**

BRAND NAME : **SM-B30-3HI**

HI-NOISE REDUCTION TYPE



NO	DESCRIPTION	MAT'L	Q'TY	SIZE	REMARK
1	FRAME	SS400	1 ST	2.0t	
2	STIFFENER	SS400	1 ST	2.0t	
3	DOOR BUMPER	NEPORENE	1 ST	5tx17	
4	REINF. FOR HINGE	SS400	1 ST	4.0t	WITH TUBE PACKING
5	DOOR PANEL	SECC	1 ST	0.8t	
6	INSULATION	MINERAL-WOOL	1 ST	#280 (FOR SOUND REDUCTION)	
7	LOCK		1 ST		
8	HINGE	SS400	3 ST		
9	REINF. FOR HINGE	SS400	1 ST	4.0t	WIDTH 850mm MORE: HINGE-4ST
10	DUCT	SPCC	2 ST	0.8t	
11	REINF. FOR LOCK	SS400	1 ST	4.0t	
12	REINF. FOR CLOSER	SS400	1 ST	2.3t	
13	BARREL BOLT	BRASS	1 ST	SM-3301	BOTH SIDE
14	REINF. FOR HOOK	SS400	1 ST	2.3t	
15	EDGE CHANNEL	SECC	1 ST	1.0t	
16	INSULATION	MINERAL-WOOL	1 ST	#200	
17	R/H TAPPING SCREW	SUS	8 ST	M4x16	
18	STIFFENER	SPCC	1 ST	1.5t	
19	POP RIVET	AL.	1 ST	Ø3.2	
21	END PROFILE	SS400	1 ST	2.0t	
23	SOUND PACKING	NEPORENE	1 ST	5tx10	
24	KICKOUT PANEL	SECC	1 ST	1.0t	OPTION