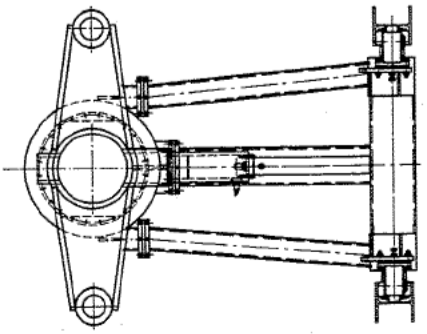


SECTION A - A
(UPPER YOKE & BLOCK DOLLY)



SECTION B - B
(LOWER YOKE & LOWER YOKE DOLLY)

VIEW ON AFT FACE

- MAIN DATA:**
- MAX. COMPENSATOR LOAD (EXCL. TOT. WEIGHT OF IN-LINE PHC SYSTEM) : 226 TONNES
 - MAX. CYLINDER STROKE : 5400 mm
- NOTES:**
1. TOTAL WEIGHT (DRY) : 224.85 KG
 2. LIFTING LUG ONLY FOR LIFTING OF THE COMPENSATOR CYLINDER.
 3. LIFTING LUG (50 TONNES) ON TRAVELLING BLOCK FOR LIFTING THE COMPLETE IN-LINE PHC SYSTEM.