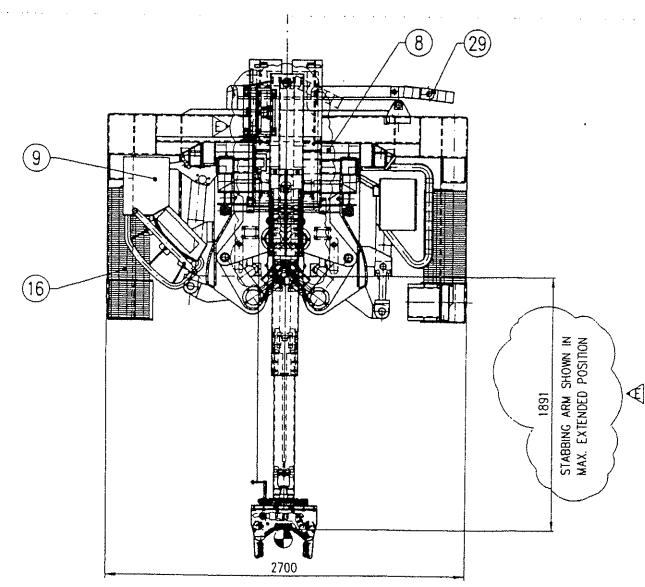
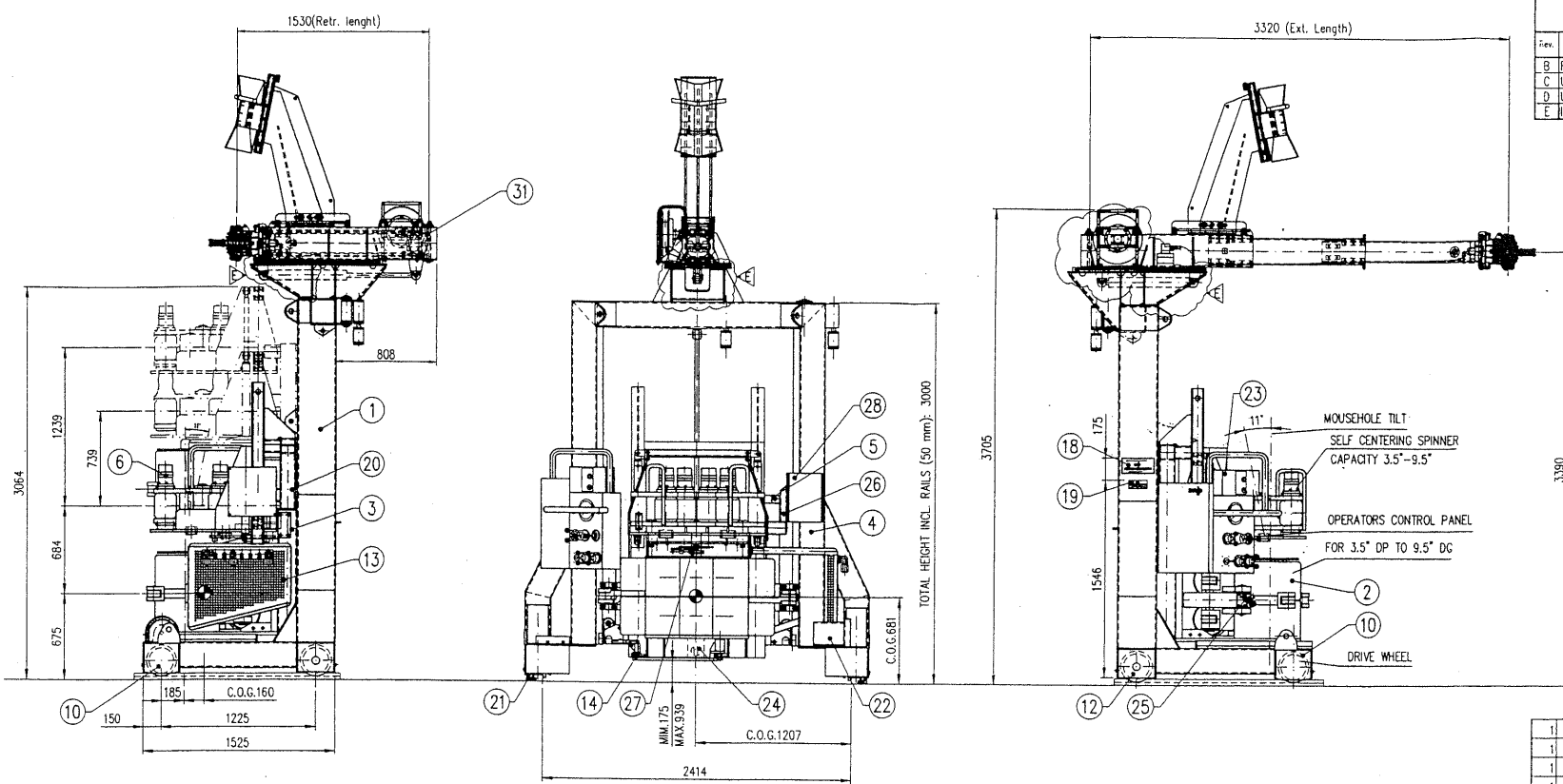


This document and all information and data appearing here or therein are the confidential and proprietary property of MARITIME HYDRAULICS and are not to be used, reproduced or disclosed in whole or in part by or to anyone without the written permission of MARITIME HYDRAULICS.

THIS IS A COMPUTER AIDED DRAWING AND MUST NOT BE ALTERED MANUALLY.

Tolerances except as noted Welding except as noted

Rev.	Description of revision	Appr.	Date / Sign.
B	REMOVED ITEM 7 / CHANGED MATERIAL SPEC. IN ITEM 1	SC	19.JAN.98/JJC
C	UPDATED	SH	24-MAR-98/JJC
D	UPDATED PUP GUIDE ON STABBING ARM	SH	29-JUL-98/JJC
E	ITEM 31 MODIFIED	SC	15.DEC.98/SHL



Qty.	Item	Description	Drwg./Material	Unit weight	Part number
1	31	STABBING ARM	MH 1913-87		
1	30	PIPE GUIDING ARM	MH 1907-152		
1	29	GUIDING ARM ASSY.	MH 1905-08		
1	28	JUNCTION BOX	TNCR 383815		
1	27	ROTAMETER ASSY.	MH 1913-39		
1	26	BRACKET FOR J.B.	MH 1907-61		
2	25	STOP VALVE AND SENSOR	MH 1913-14		
1	24	PIPE INDICATOR	MH 1621-75		
1	23	JUNCTION BOX	MH 1906-34		
1	22	DRIVE PULS ASSY.	MH 1913-31		
4	21	ANTI-DERAILER	MH 1621-15 POS 2		
1	20	FRAMES INTERCONN: ASSY	MH 1913-65		
1	19	SIGN	MH 1907-10 Item 8	24473	
1	18	SIGN	MH 1907-10 ITEM 7	12476	
2	16	STEP	TH4 S B=300 L=1000		
1	14	PIPE POSITIONER ASSEMBLY	MH 1800-20		
1	13	PROTECTION COVER	MH 1907-133		
2	12	REAR WHEEL ASSEMBLY	MH 1913-03		
1	10	DRIVE ASSEMBLY	MH 1621-11		
1	9	INST & VALVE CABINET	MH 1913-65		
1	8	TILT ASSEMBLY	MH 1913-64		
	7				
1	6	SPINNER ASSY.	MH 1896-10		
4	5	WHEEL BRACKET ASSY	MH 1621-16		
1	4	ELEVATION FRAME	MH 1621-06		
1	3	TORQUE WRENCH BRACKET	MH 1907-97		
1	2	TORQUE WRENCH ASSEMBLY	MH 1800-01		
1	1	MAINFRAME / END TRUCK	MH 1907-154		

WEIGHT OF:
ROUGHNECK : 7500 kg (16535 lbs)

Date	Drawn	Traced	Scale
04-SEP-97	SH		1:20
Checked	Approved	Projection	
SH	SH	ES	

Replaces: [] Replaced by: []

Format: Drawing number: A1 MH 1895-14 Rev. E