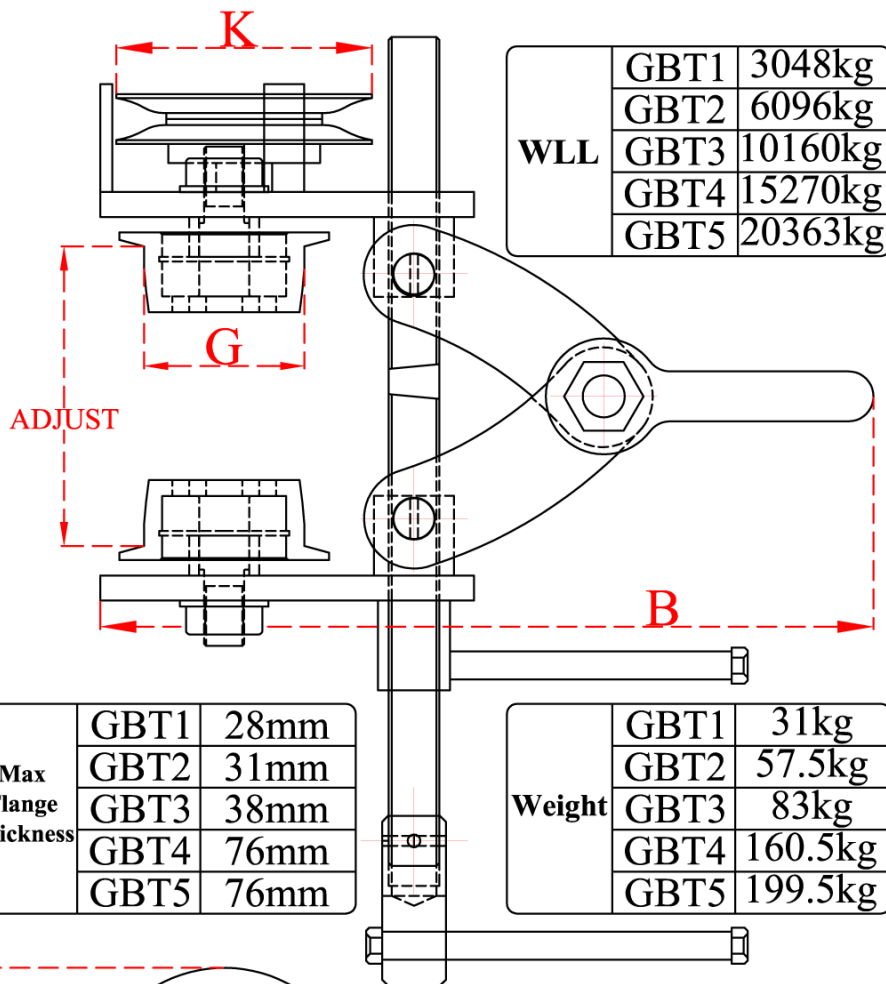


GBT1 to GBT5 Adjustable Geared Beam Trolleys



Weight	GBT1	31kg
	GBT2	57.5kg
	GBT3	83kg
	GBT4	160.5kg
	GBT5	199.5kg

DIMENSION	GBT Type Trolley's				
	GBT				
	1	2	3	4	5
A	33	34	41	50	50
B	395	515	570	865	970
C	112	100	130	205	223
D	133	176	200	246	292
G	82	125	145	190	220
H	475	560	560	785	785
K	130	130	230	230	230
L	269	356	430	512	610
M	12.5	15	15	20	20
ADJUST	76 to 203	105 to 305	160 to 305	203 to 457	203 to 457

